

# Installation and Assembly - Multi-Display I-Beam Clamp for 4"-7" Beams

**Maximum load rating 600 lb (272.2 kg)** Combined weight to all attached hardware and components is not to exceed 600 lb (272.2 kg)

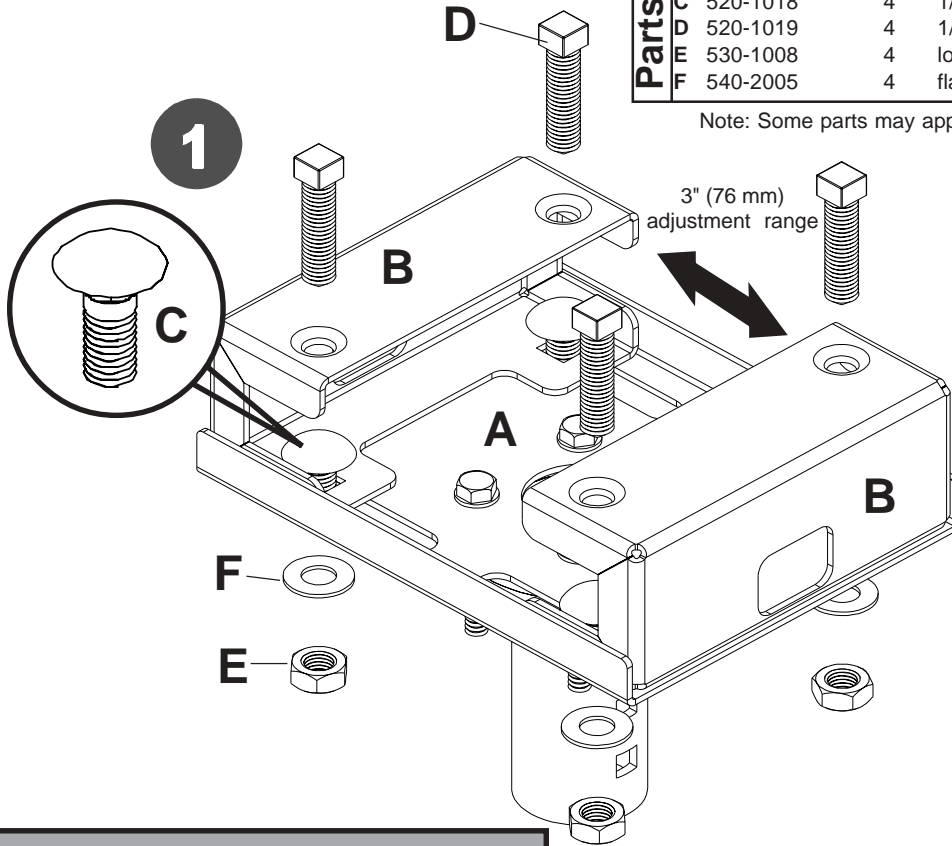
**IMPORTANT!** Read entire instruction sheet before you start installation and assembly.

**Model:  
DCT 900**

**Before you start** make sure all parts shown below are included with your product.

Parts List	PART #	QTY.	DESCRIPTION
	A 128-0424	1	tray
	B 128-1273	2	clamps for i-beam
	C 520-1018	4	1/2-13 X 2" square head bolt
	D 520-1019	4	1/2-13 X 1" carriage bolt
	E 530-1008	4	lock nut 1/2-13
	F 540-2005	4	flat washer 1/2-13

Note: Some parts may appear slightly different than illustrated.



## ⚠ WARNING

- If multi-display system, in combination with components exceeds 600 lb (272.2 kg) it therefore exceeds the maximum load. Heavy Duty I-Beam Clamp with Decoupler will not safely support a combined load which exceeds 600 lb (272.2 kg)!

**1** **Note:** For each step see corresponding illustration. Attach brackets (B) to tray (A) using four 1/2-13 X 2" square head bolts (C), washers (F), and lock nuts (E). Do not fully tighten. Start four 1/2-13 X 1" carriage bolts (D) into clamps (B).

**1-1** Adjust clamps (B) securely around I-Beam. Tighten (C,F,E) securely. Tighten four bolts (D) securely. Attach the extension column according to the instructions provided with it. Use a level to make sure the column is plumb and make adjustments as necessary.

