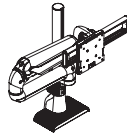
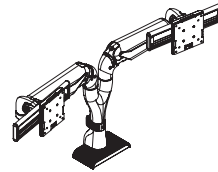


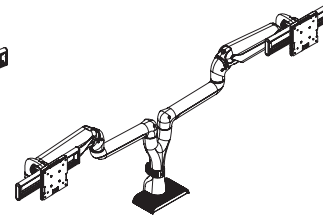
**E5-D1L
E5-D1**



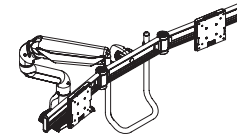
E5-P01SD



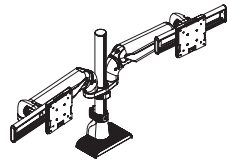
E5-D2



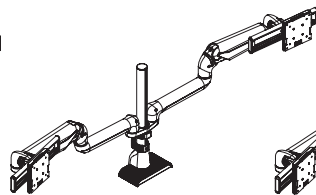
E5-D2SD



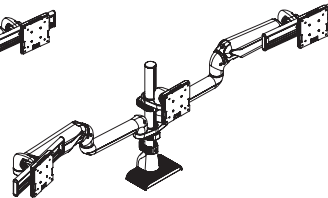
E5-D2C



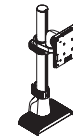
E5-P02D



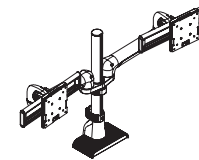
E5-P02SD



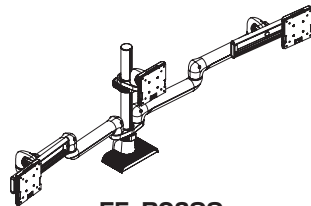
E5-P03SD



E5-P01



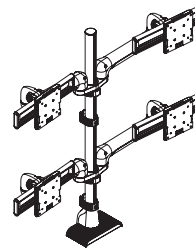
E5-P02S



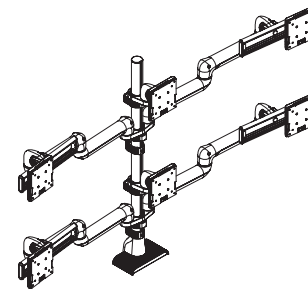
E5-P03SS



E5-P11



E5-P22S

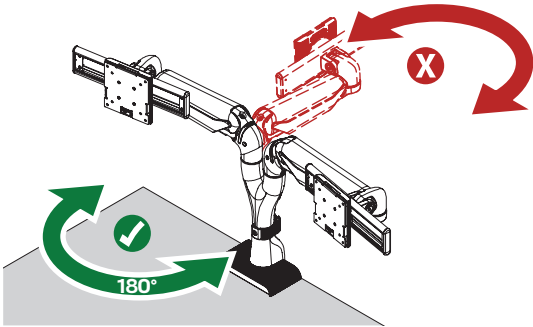


E5-P33SS

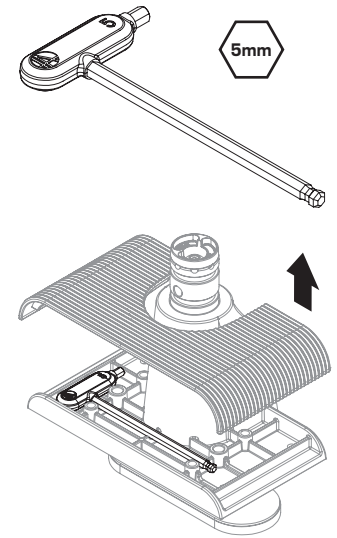
IMPORTANT INSTRUCTIONS

WARNING


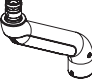
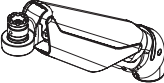
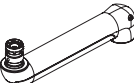

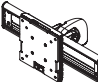


- Do not use power tools during assembly.
- The monitors shall not be positioned behind the edge of the desk.
- It is highly recommended to engage the 180° rotation stop.




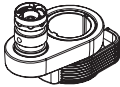
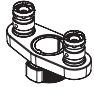

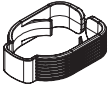
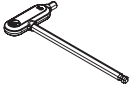
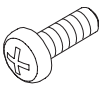
TOOL INCLUDED

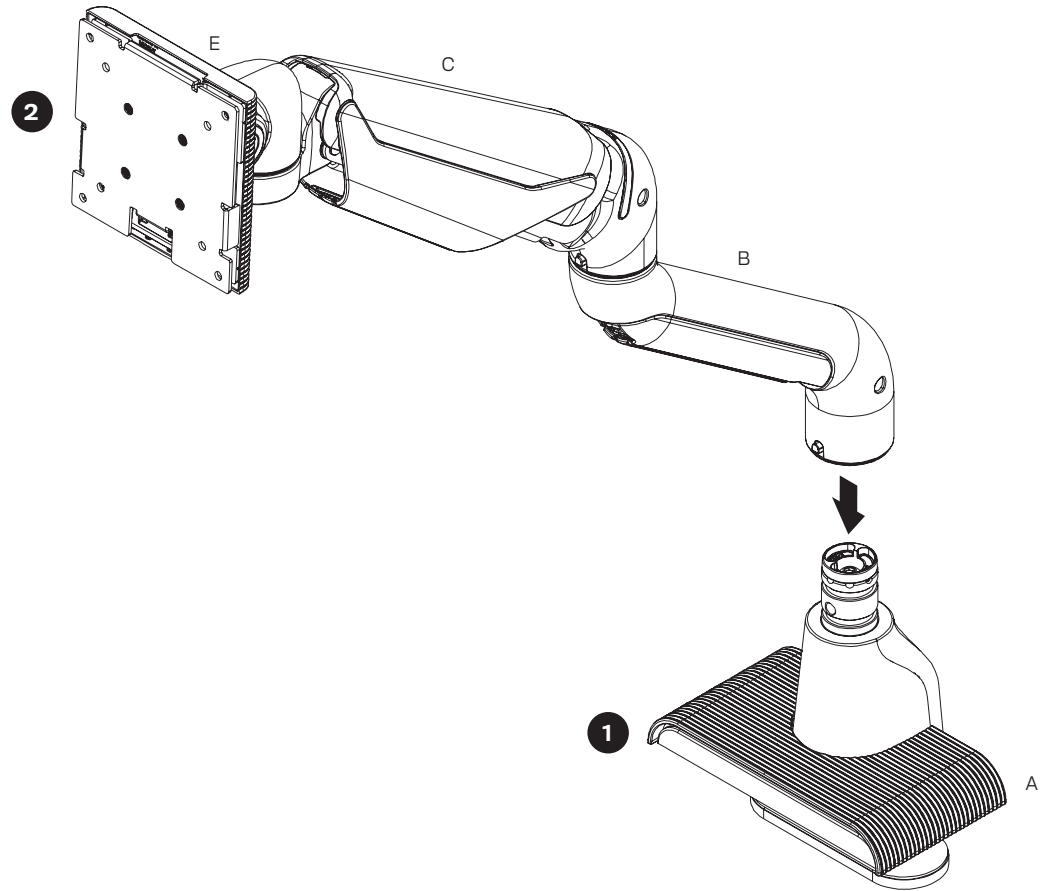


PARTS LIST

	E5-P01	E5-P01SD	E5-D1X	E5-D2	E5-D2SD	E5-D2C	E5-P11	E5-P02S	E5-P02D	E5-P02SD	E5-P03SS	E5-P03SD	E5-P22S	E5-P33SS
A 418028 (includes 1x 118311) 	1x	1x	1x	1x	1x	1x	1x	1x	1x	1x	1x	1x	1x	1x
B 418082 	-	-	1x	-	-	1x	-	-	-	-	-	-	-	-
C 418090 	-	1x	1x	2x	2x	1x	-	-	2x	2x	-	2x	-	-
D 418171 	-	1x	-	-	2x	-	-	2x	-	2x	4x	2x	4x	8x
E 418045 (includes 1x 702096) 	1x	-	1x	-	-	-	2x	-	-	-	1x	1x	-	2x
F 418123 (includes 1x 702096) 	-	1x	-	2x	2x	-	-	2x	2x	2x	2x	2x	4x	4x
G 418131 	-	-	-	1x	1x	-	-	-	-	-	-	-	-	-
H 418160-14 	1x	1x	-	-	-	-	1x	1x	1x	1x	1x	1x	1x	1x

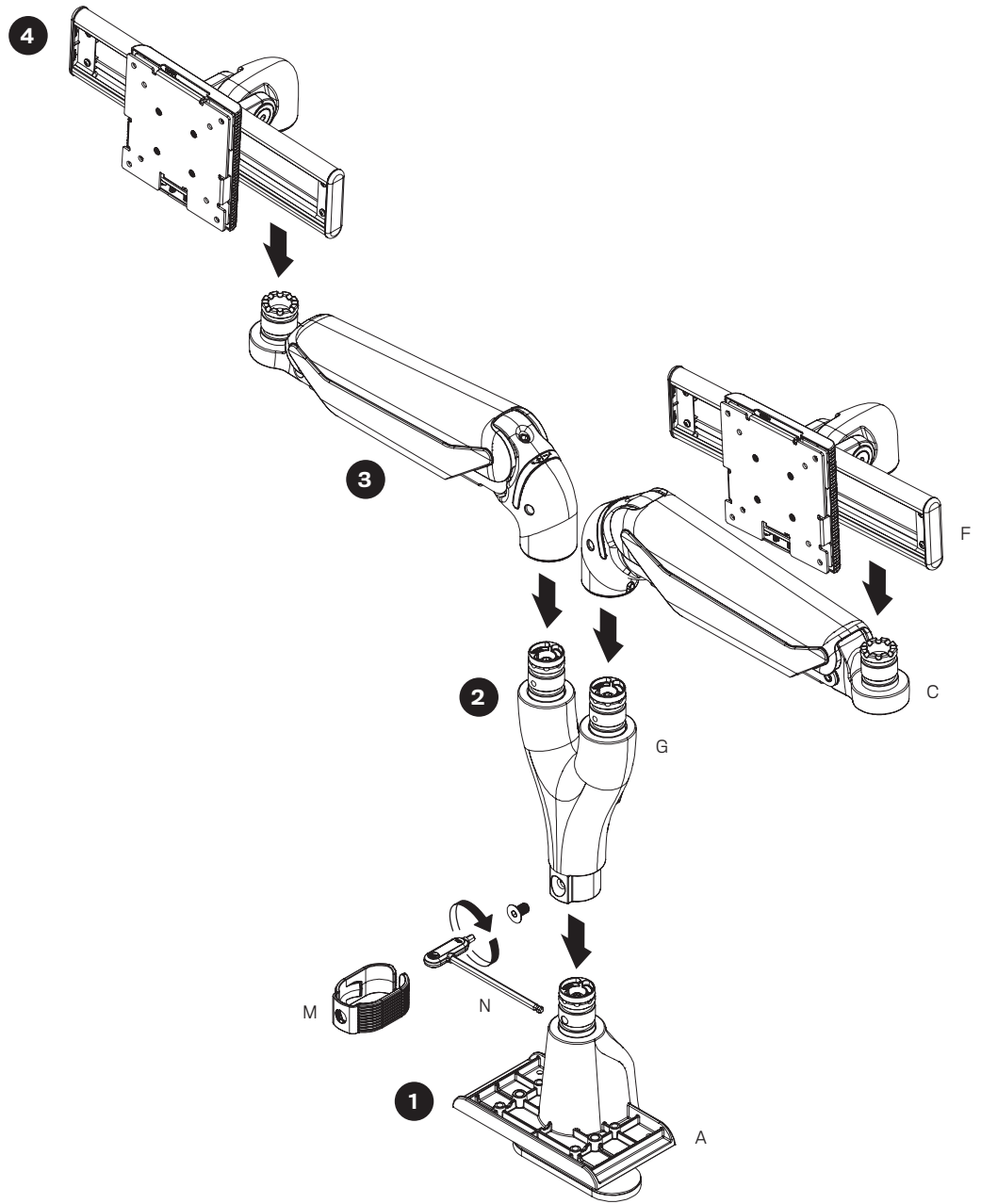
PARTS LIST CONTINUED

	E5-P01	E5-P01SD	E5-D1X	E5-D2	E5-D2SD	E5-D2C	E5-P11	E5-P02S	E5-P02D	E5-P02SD	E5-P03SS	E5-P03SD	E5-P22S	E5-P33SS
I 418340 	-	-	-	-	-	-	1x	-	-	-	-	-	1x	1x
J 418165 	1x	1x	-	-	-	-	2x	-	-	-	1x	1x	-	2x
K 418167 	-	-	-	-	-	-	-	1x	1x	1x	1x	1x	2x	2x
L 418178 	-	-	-	-	-	1x	-	-	-	-	-	-	-	-
M 118134 	1x	1x	-	1x	1x	-	2x	1x	1x	1x	1x	1x	2x	2x
N 118311 	1x	1x	1x	1x	1x	1x	1x	1x	1x	1x	1x	1x	1x	1x
O 702096 	4x	4x	4x	8x	8x	8x	8x	8x	8x	8x	8x	12x	16x	24x

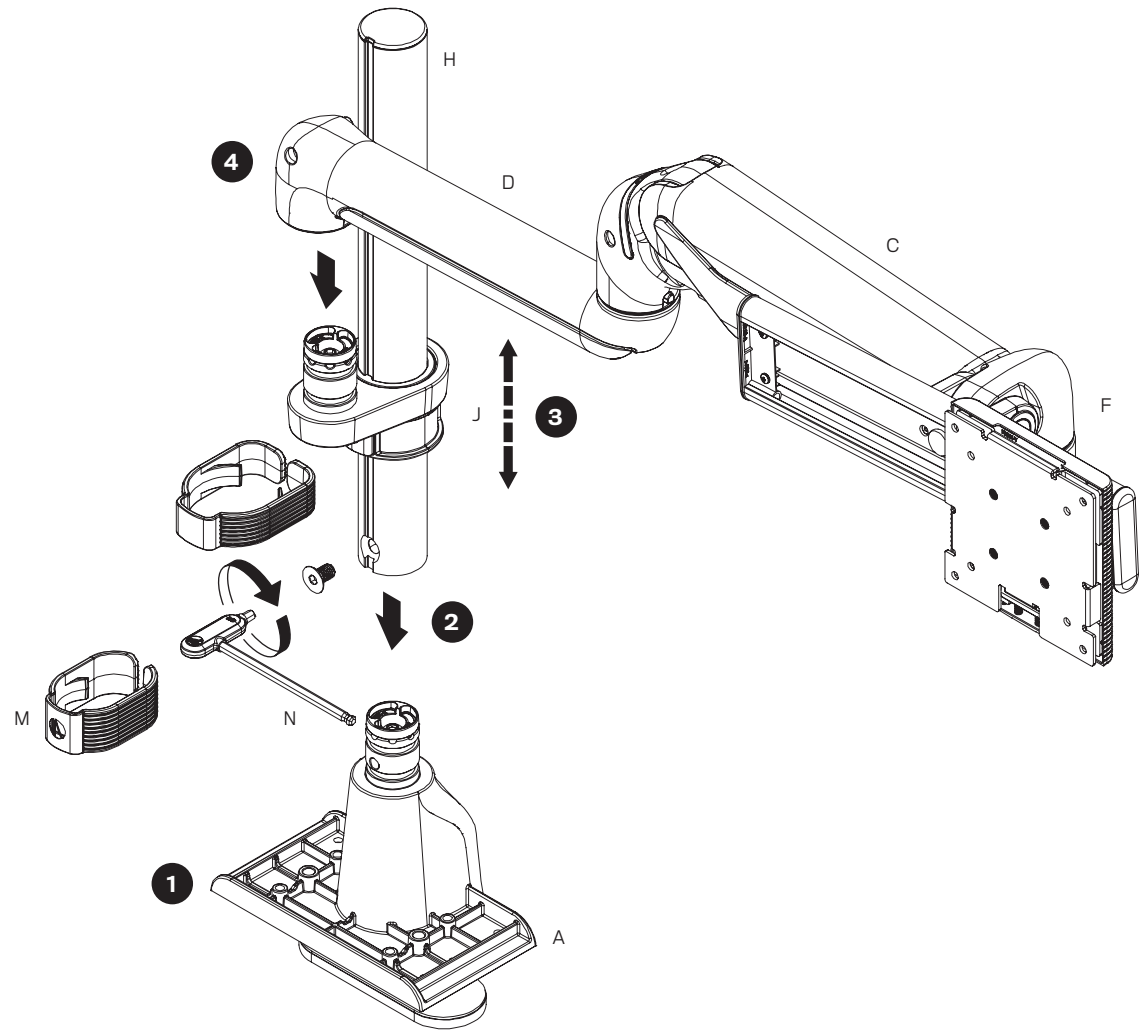


- 1 Secure Top Down Mount (A) to worksurface.
(see pages 9 - 11)
- 2 Insert pre-assembled B+C+E into Mount (A).

- 1 Secure Top Down Mount (A) to worksurface.
(see pages 9 - 11)
- 2 Insert and secure Dual Adapter (G) into Mount (A) using provided mount screw (blue-taped to Dual Adapter) and 5mm HAT Hex Key. Snap Cable Clip (M).
- 3 2x Insert Dynamic Arm (C) to Dual Adapter (G).
- 4 2x Insert Slider (F) to Dynamic Arm (C).

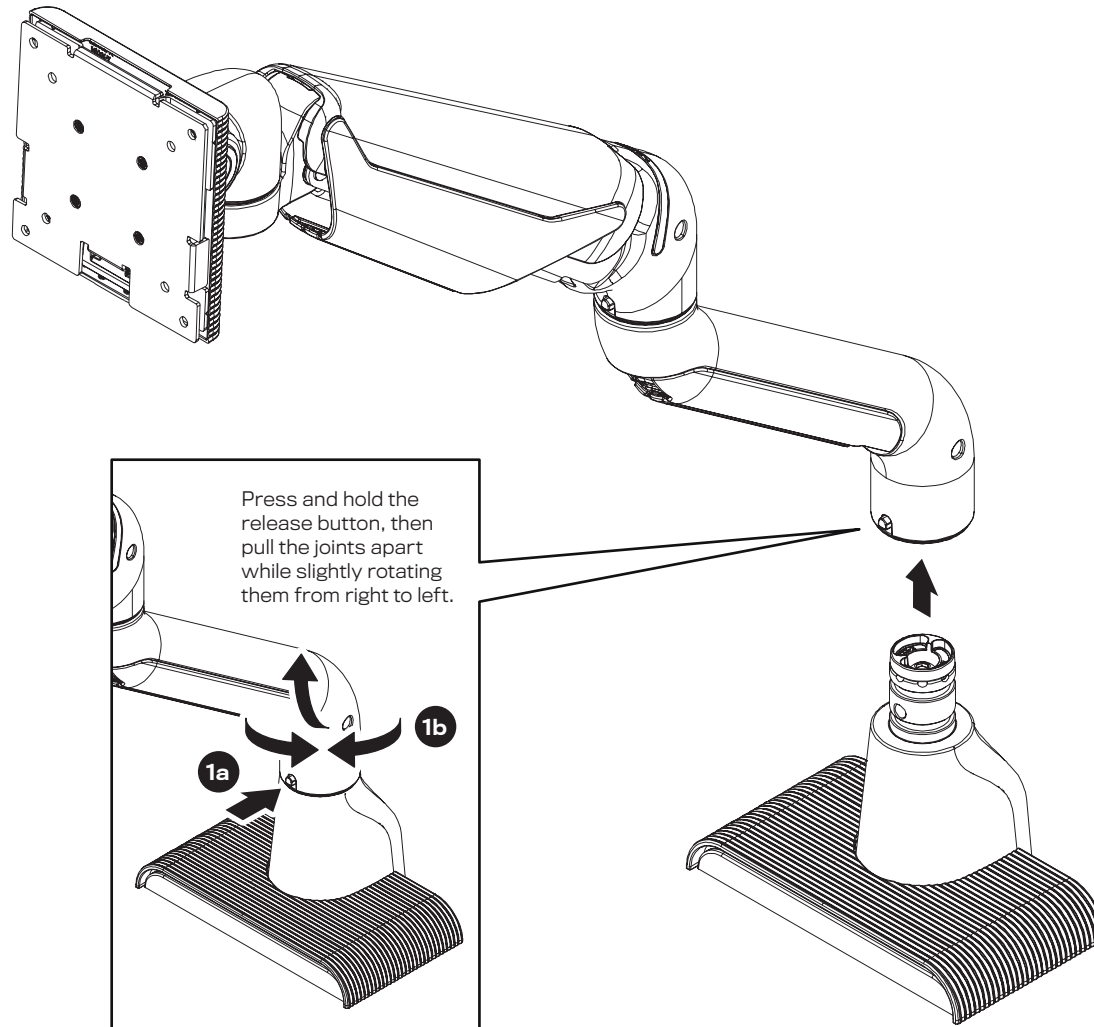


- 1 Secure Top Down Mount (A) to worksurface. (see pages 8 - 11)
- 2 Insert and secure Pole (H) into Mount (A) using provided mount screw (blue-taped to Pole) and 5mm HAT Hex Key. Snap Cable Clip (M).
- 3 Adjust the height of Single Yoke (J) on the Pole if needed. (see Page 13)
- 4 Insert pre-assembled D+C+F into Single Yoke (J).



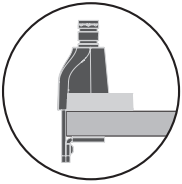
PUSH-BUTTON QUICK CONNECTIONS

1

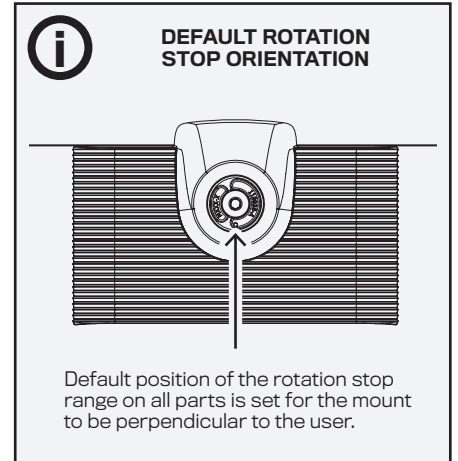
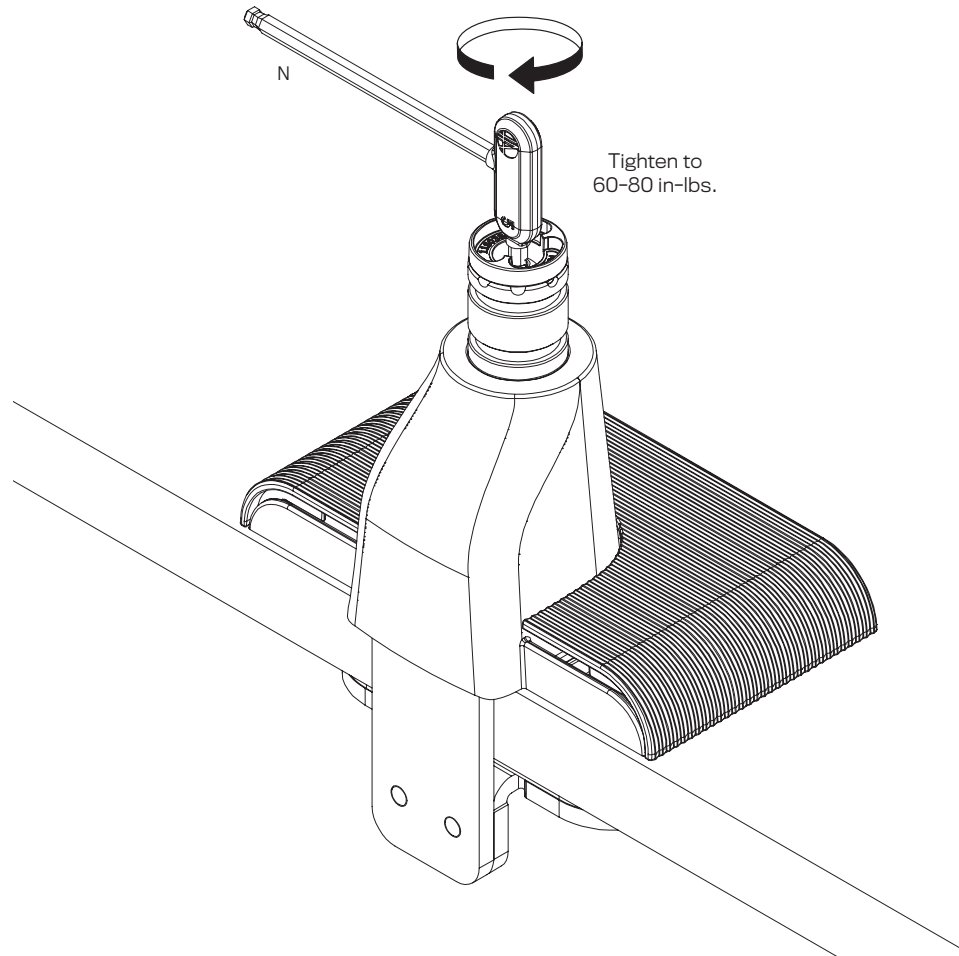


C-CLAMP CONFIGURATION (CONTINUED ON NEXT PAGE)

2

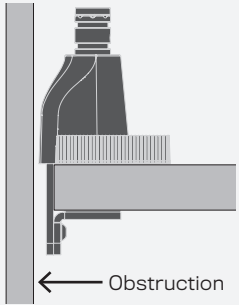


Desk thickness
up to 1.5" (38mm)



C-CLAMP CONFIGURATION - LIMITED SPACE INSTALLATIONS

i **LIMITED SPACE MOUNTING**

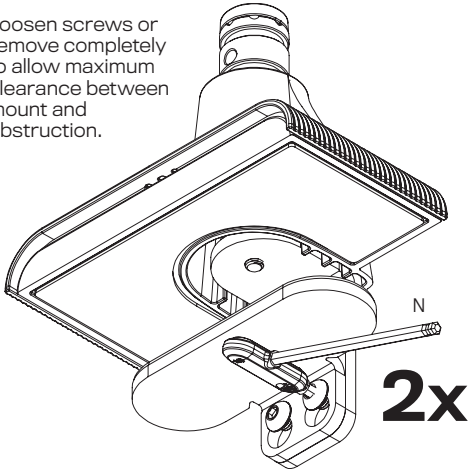


← Obstruction

In instances when there's not enough space to slide the mount assembly onto the desk, the mount can be disassembled to attach to the desk.

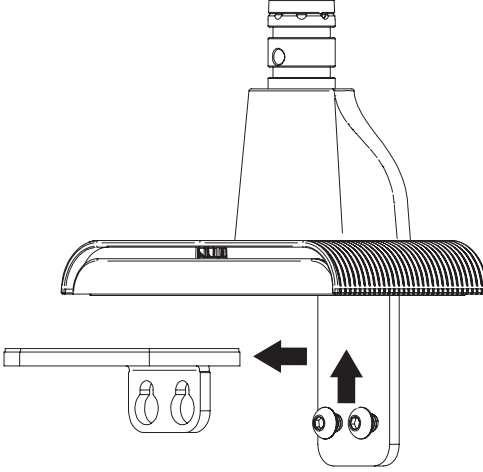
3

Loosen screws or remove completely to allow maximum clearance between mount and obstruction.

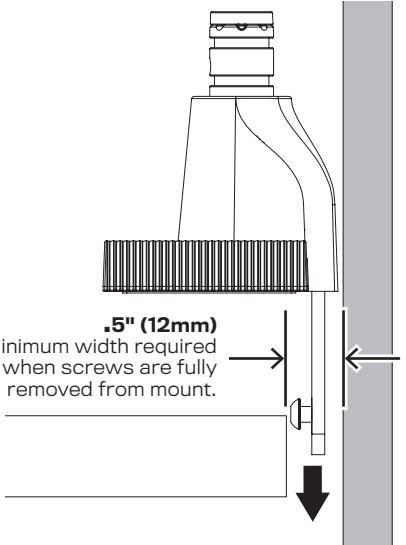


2x

4

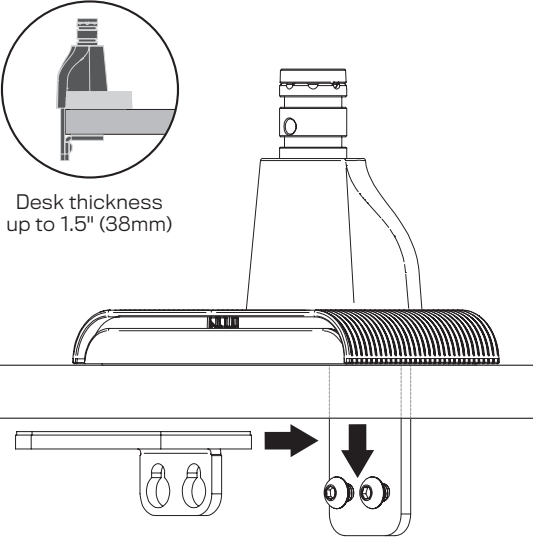


5



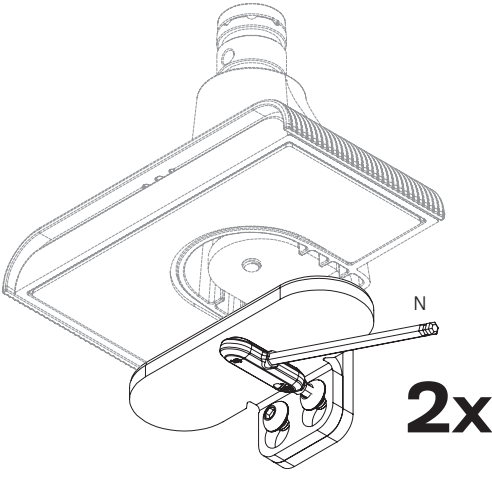
.5" (12mm)
minimum width required when screws are fully removed from mount.

6



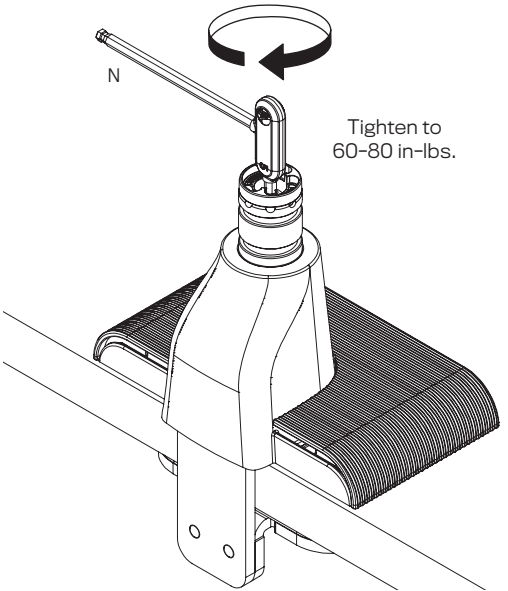
Desk thickness up to 1.5" (38mm)

7



2x

8

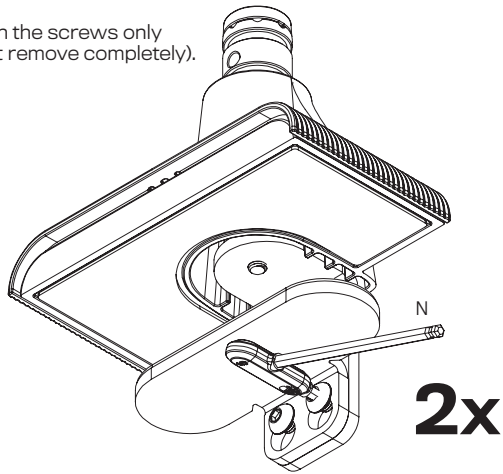


Tighten to 60-80 in-lbs.

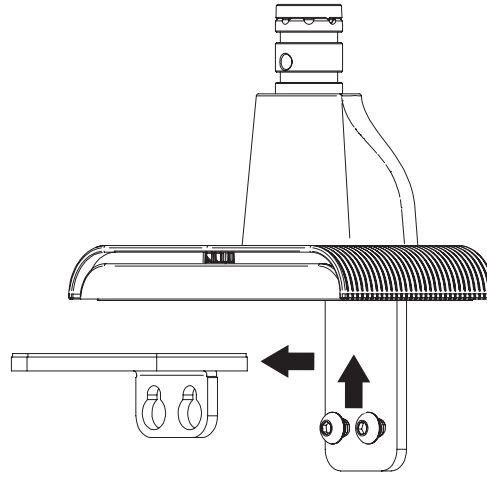
GROMMET CONFIGURATION

9

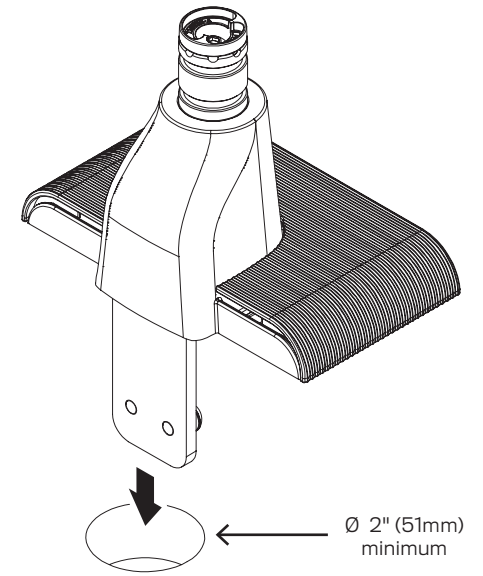
Loosen the screws only
(do not remove completely).



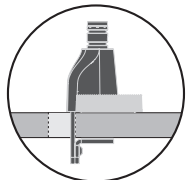
10



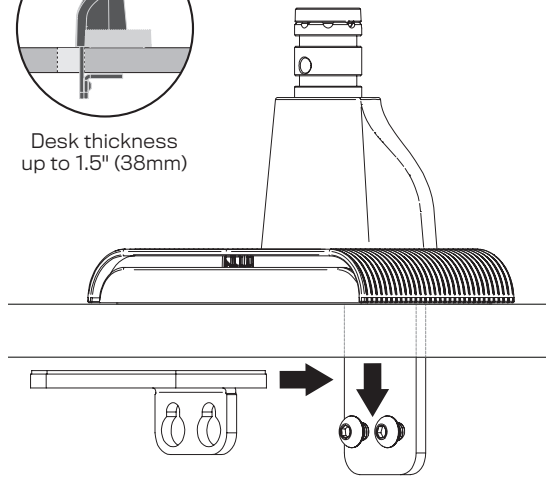
11



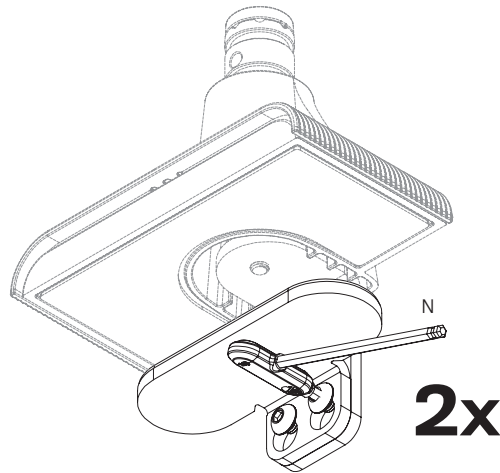
12



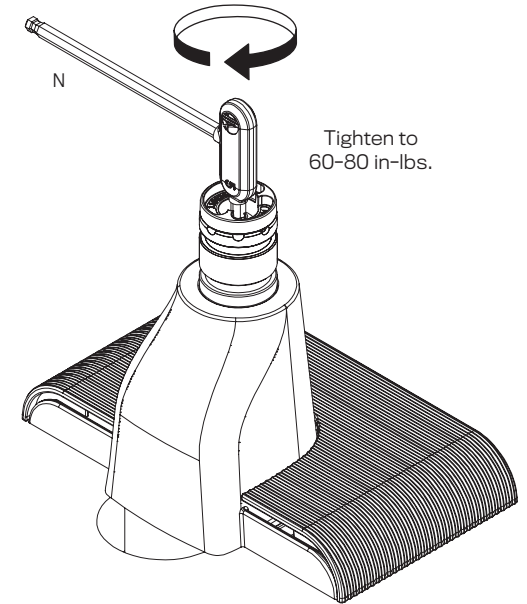
Desk thickness
up to 1.5" (38mm)



13

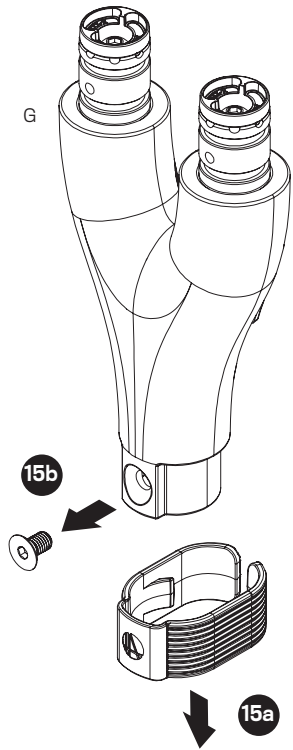


14

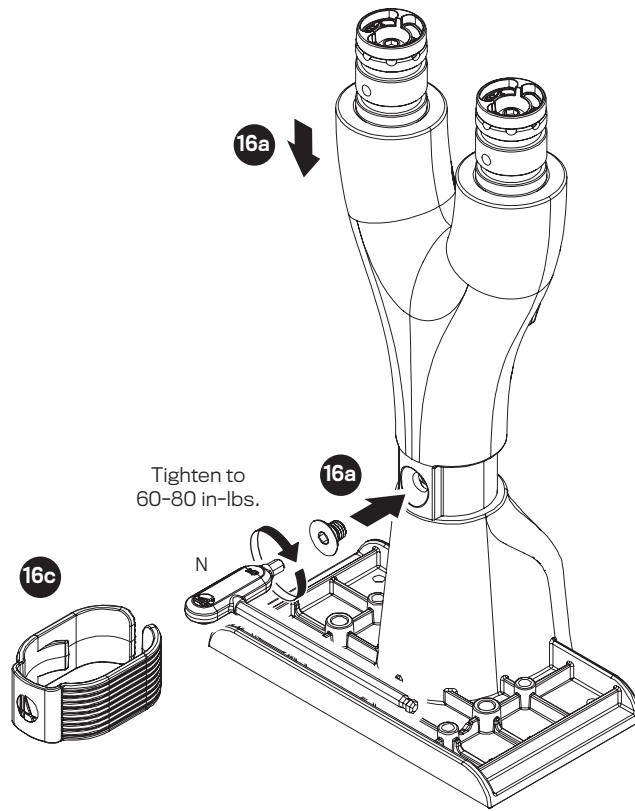


DUAL ADAPTER AND POLE INSTALLATION

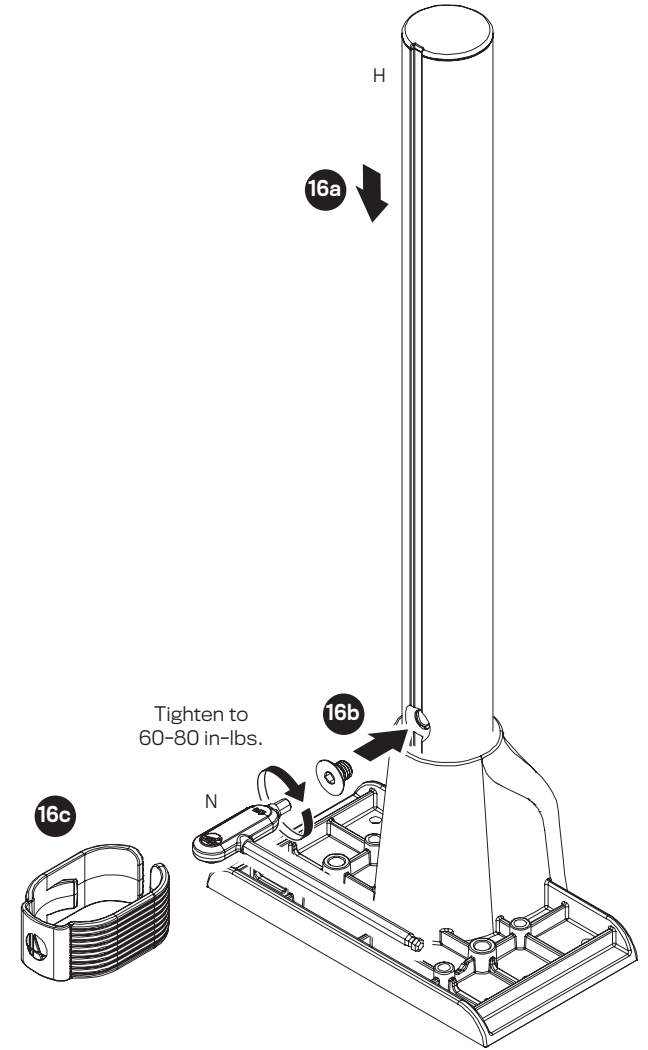
15



16

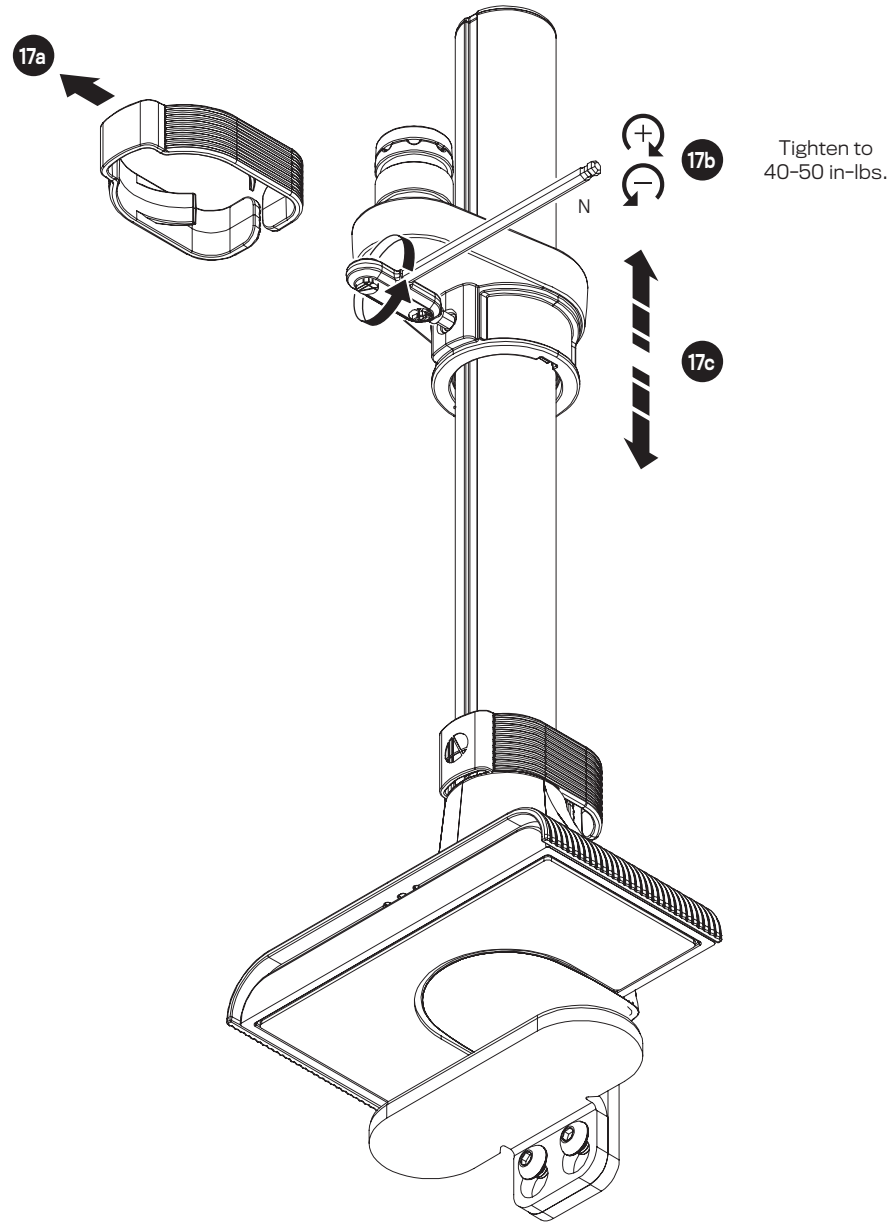


OR



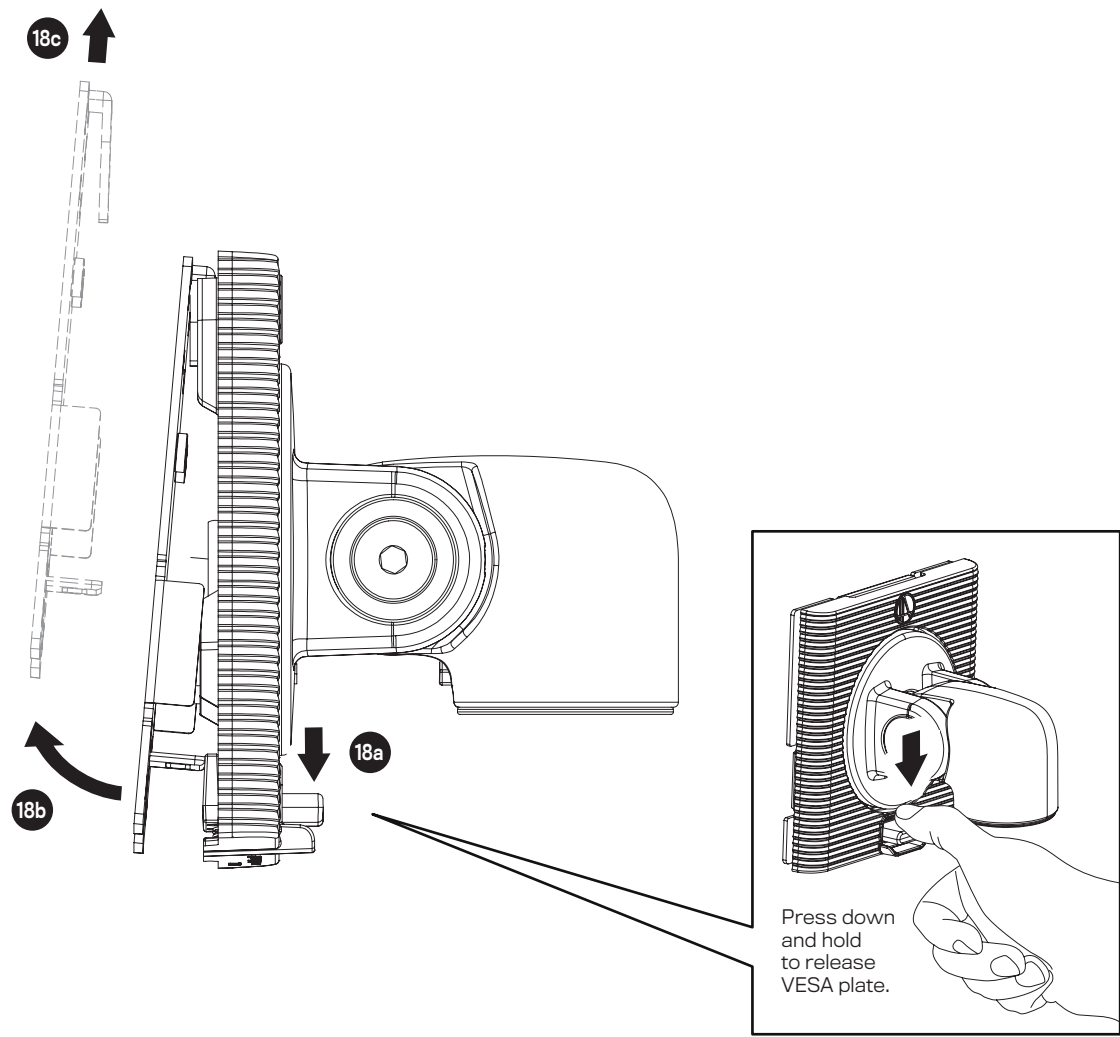
SINGLE AND DUAL YOKE HEIGHT ADJUSTMENT

17



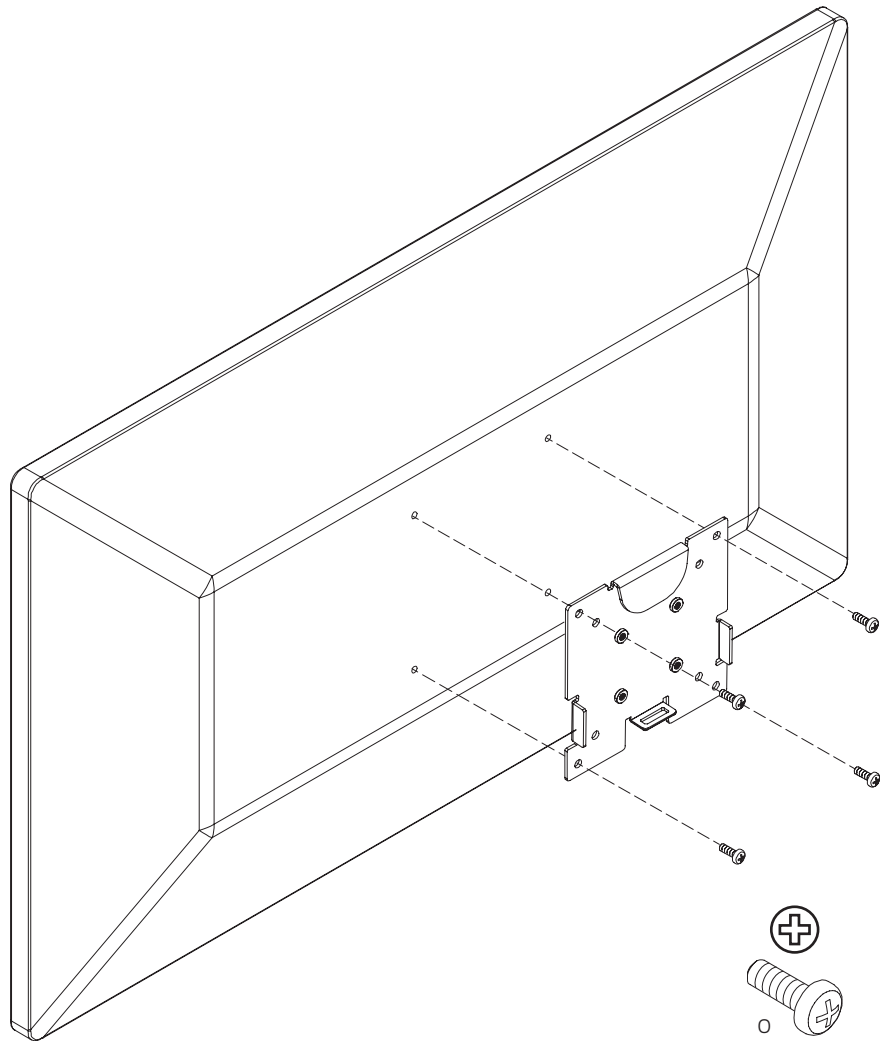
VESA PLATE REMOVAL (TILTER AND SLIDER)

18

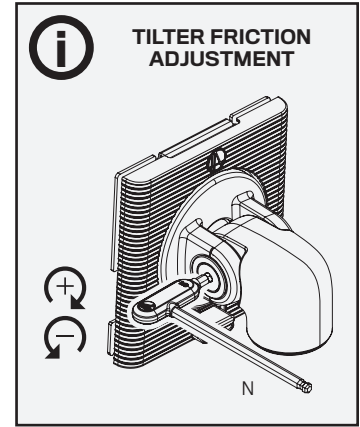
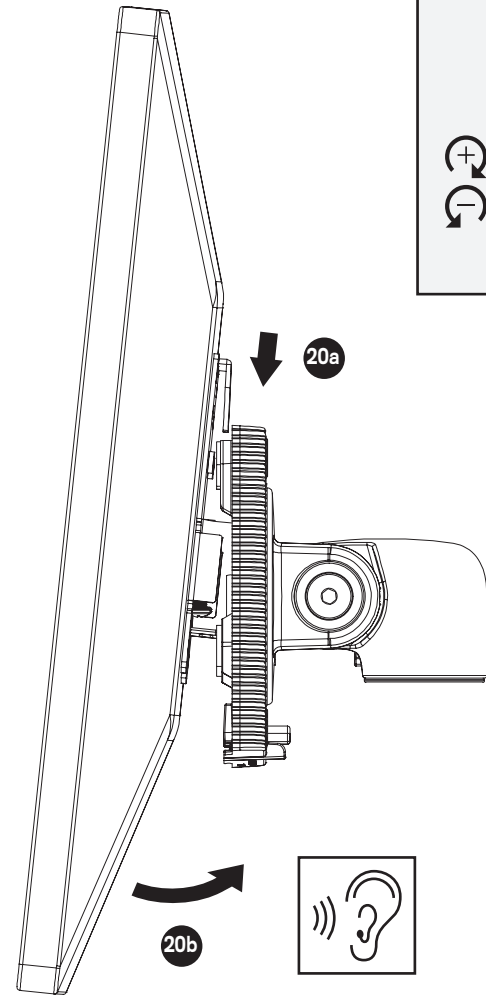


VESA PLATE ASSEMBLY (TILTER AND SLIDER)

19

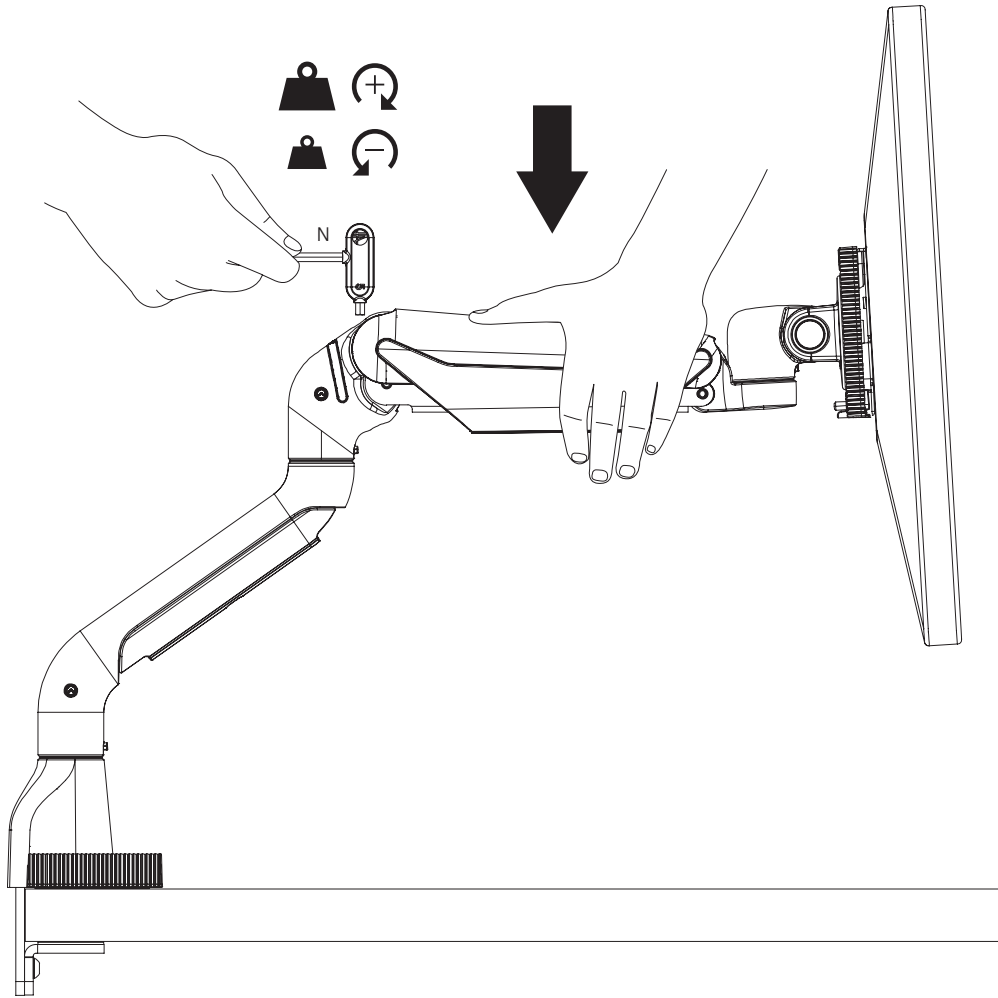
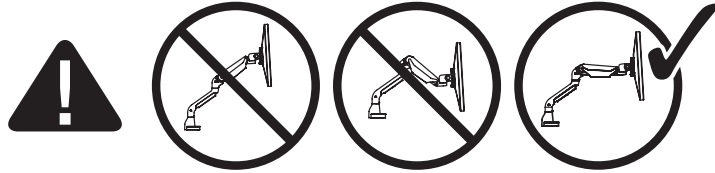


20



DYNAMIC ARM COUNTERBALANCE

21



i TENSION INDICATOR

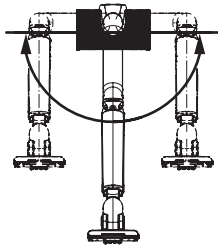
The tension indicator can be used to quickly set multiple arms that will be utilizing the same monitor weight to the correct tension.

- ① ~ 5 lbs. (2.2 kg)
- ② ~ 12 lbs. (5.4 kg)
- ③ ~ 23 lbs. (10.4 kg)
- ④ ~ 35 lbs. (15.9 kg)
- ⑤ ~ 45 lbs. (20.4 kg)

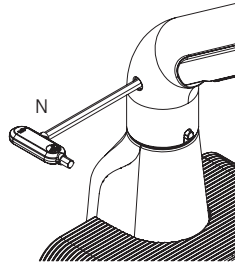
ROTATION STOP ADJUSTMENTS (CONTINUED ON NEXT PAGE)

22

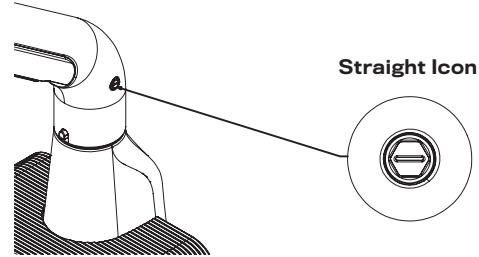
180°



Arms must face forward to
Change the rotation stop range.

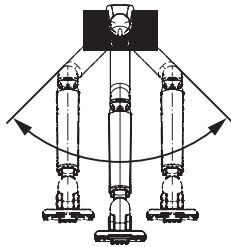


To set to a 180 degree range, use the long end of the tool to push the rotation stop switch to the side that shows a straight icon.

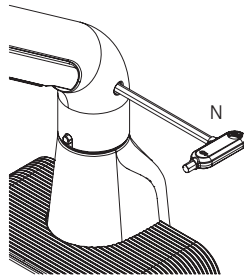


When the straight icon is visible, the rotation stop is set to 180 degrees.

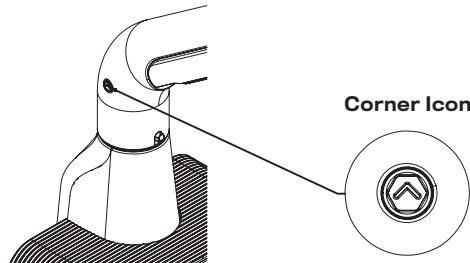
90°



Arms must face forward to
Change the rotation stop range.

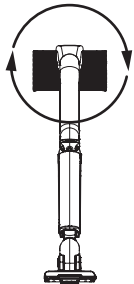


To set to a 90 degree range, use the long end of the tool to push the rotation stop switch to the side that shows a corner icon.

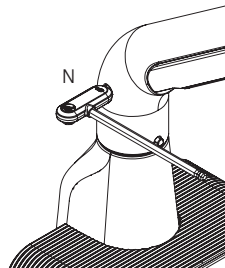


When the corner icon is visible, the rotation stop is set to 90 degrees.

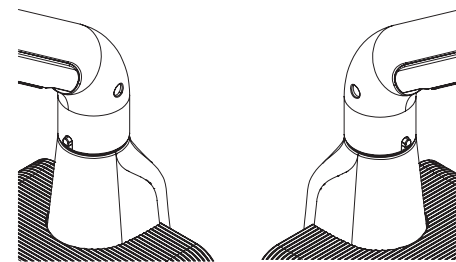
360°



Arms must face forward to
Change the rotation stop range.



To remove the rotation stop, use the short end of the tool to push the rotation stop switch to the center position where the hole is empty on both sides.



When no icon is visible on either side, the rotation stop is removed, allowing the arm to freely spin 360 degrees.

i ADJUSTMENT ACCESS

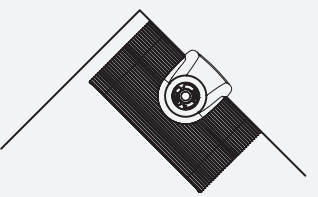
When the arm is forward on the pole or dual arm, the rotation stop switch is blocked from access for adjustment.

In these cases the arm can be rotated slightly (about 30°) to one side or the other to allow the tool to access the rotation stop switch.

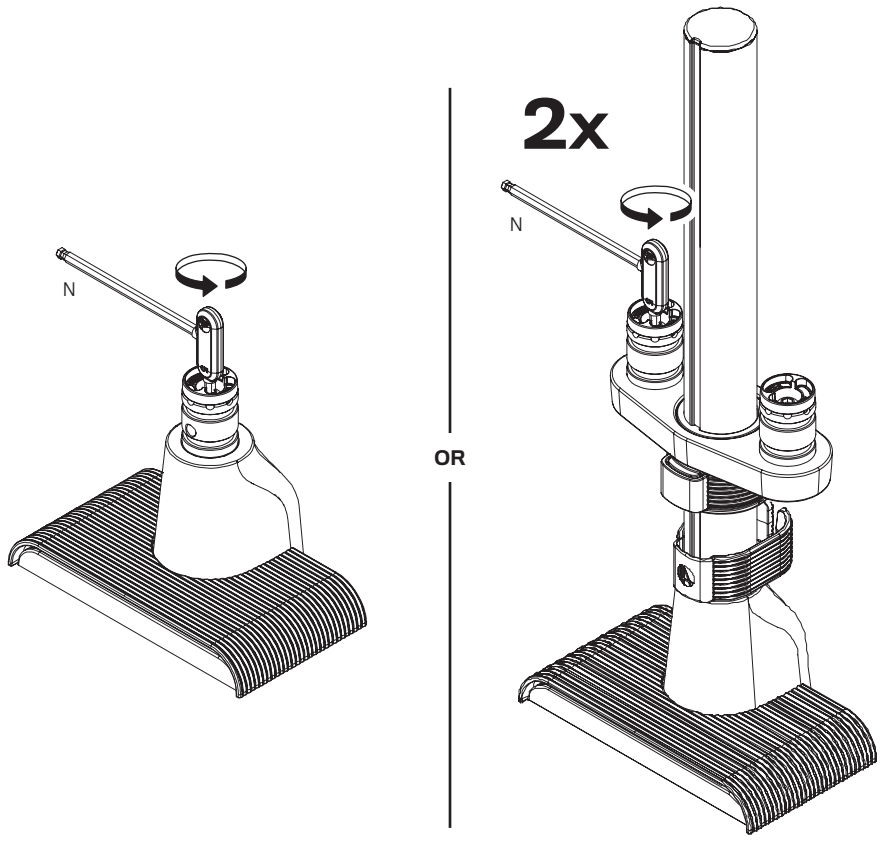
ROTATION STOP ADJUSTMENTS - ANGLED MOUNT INSTALLATIONS

i **ANGLED MOUNT INSTALLATIONS**

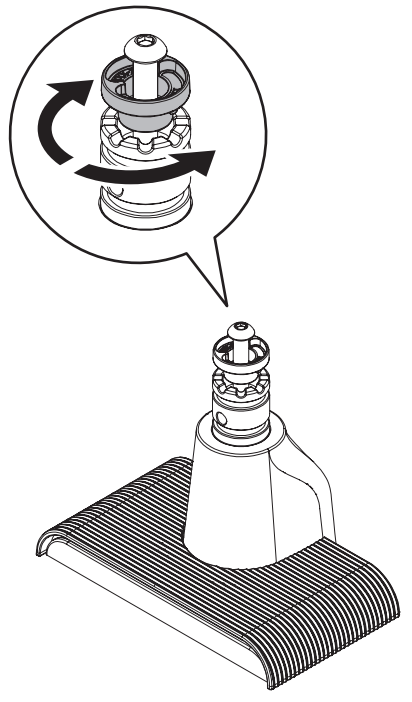
The rotation stop range can be rotated in increments of 45 degrees for angled mount installations.



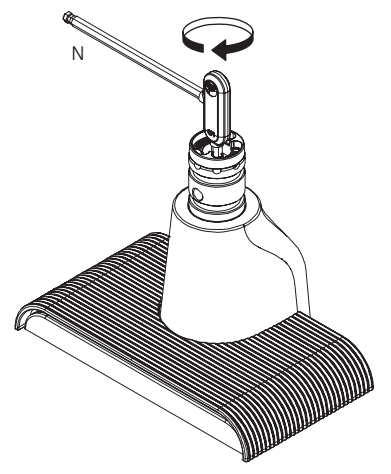
23



24

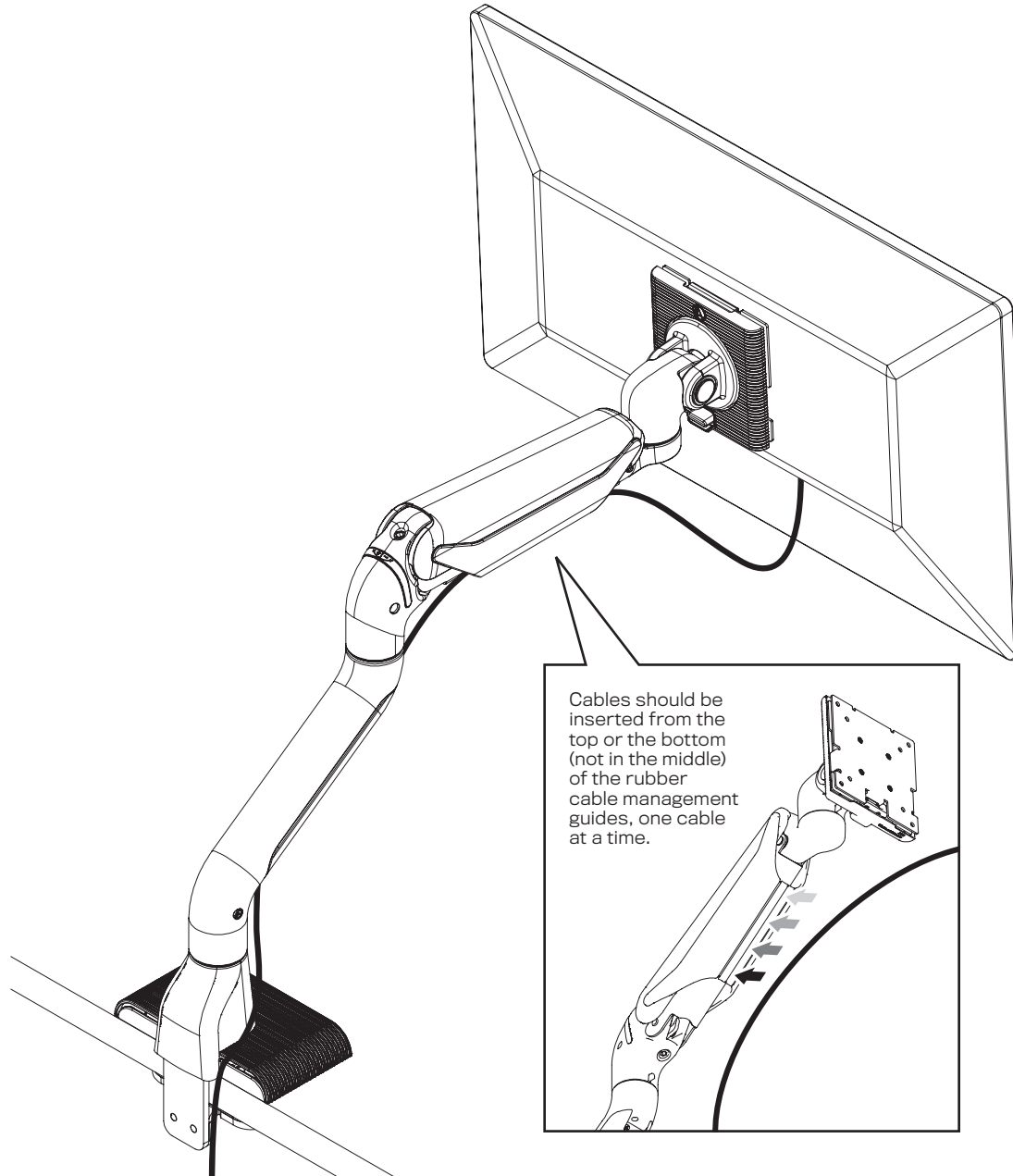


25



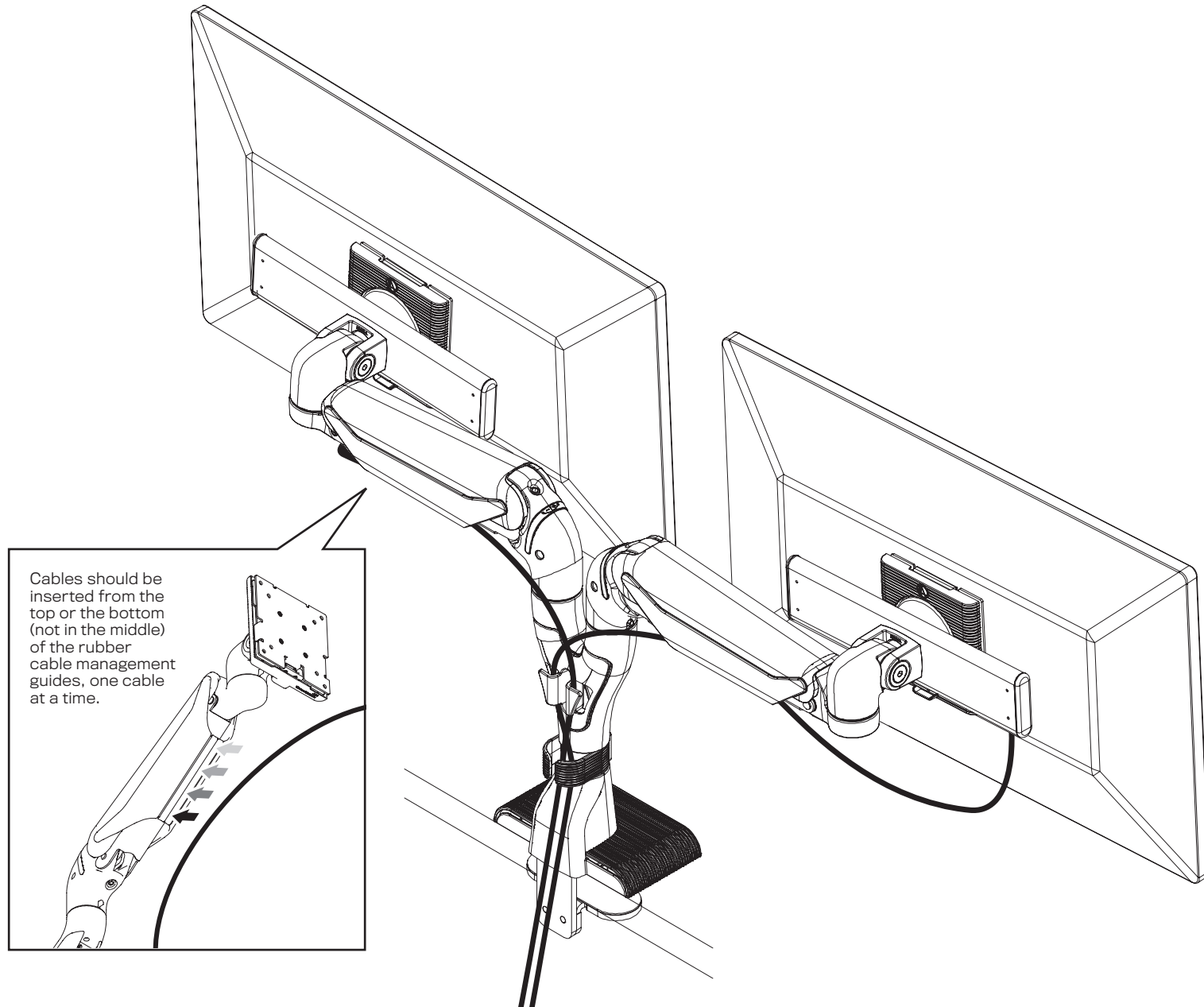
CABLE MANAGEMENT (CONTINUED ON NEXT PAGE)

26



CABLE MANAGEMENT (CONTINUED ON NEXT PAGE)

27



CABLE MANAGEMENT

28

