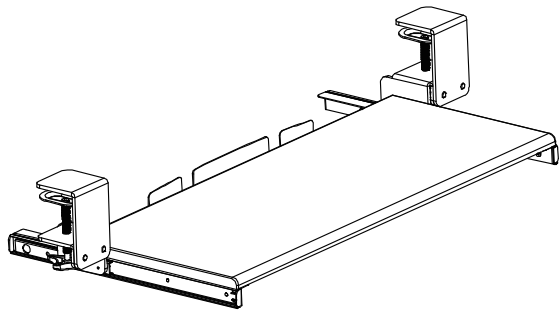


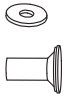





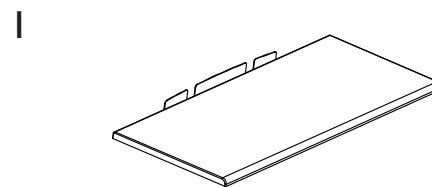
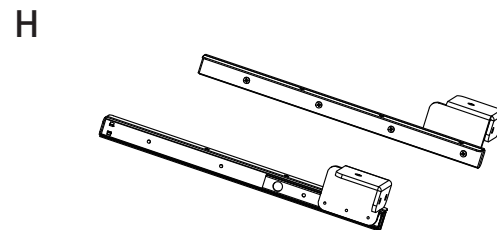
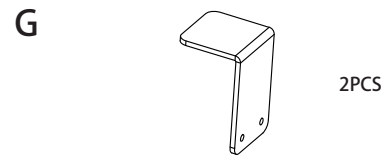
## MOUNTING INSTRUCTIONS



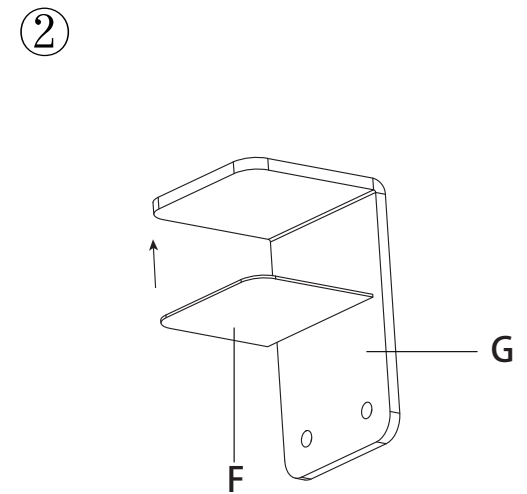
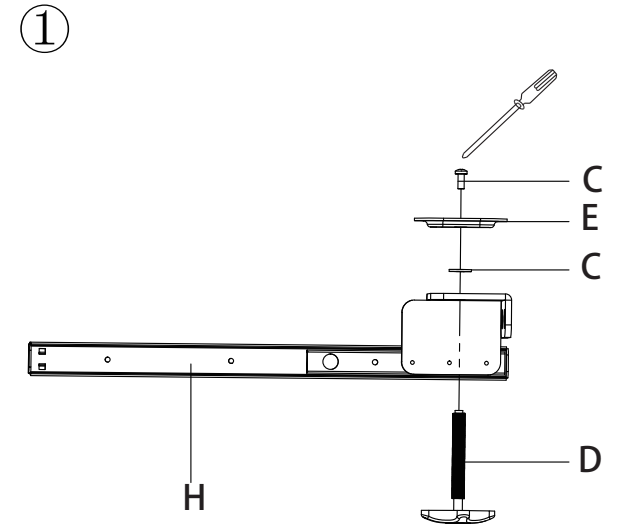
Max loading 5KG

### ▶ PARTS INCLUDED

A		M5x12 SCREW 6PCS
B		M8x12 SCREW 4PCS S=5mm
C		2PCS M5x12 SCREW 2PCS
D		2PCS
E		2PCS
F		Mat 2PCS Mat 2PCS



### ▶ INSTALLATION



► INSTALLATION

