



REYA POWER

ACCESSORIES



HAT
DESIGN WORKS™
HUMAN ACTIVE TECHNOLOGY

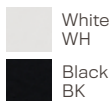
SMART. BEAUTIFUL. POWERFUL.

Meet Reya - our new power family. Reya's design-forward architecture with soft, curved lines offers a full spectrum of mountable power options for your workstation. Whatever your power needs, big or small, Reya provides power conveniently at your fingertips.



LOW PROFILE USB HUB

Finishes



Features

- 1 USB-A charger port
- 1 USB-C charger port
- Can charge laptop up to 65 Watts (requires 5A-Rated USB-C cable)
- Mount: Desk edge/surface mount, under mount, edge mount (desk edge/surface mount: 0.5" - 1.75")

Specifications

- Input: DC, 65W max from HAT Base Control Box
- Output:
 - Single Port in Use:
 - USB-C: QC2.0, QC3.0, PD3.0, PPS, 65W max
 - USB-A: 5V/2A, 10W max
 - Both Ports In Use:
 - USB-C: 20V2.25A max
 - USB-A: 5V2A max

Dimensions

- Product: 2.4" x 2.2" x 1.2"
- Cord Length, PWR-AC: 5'
- Cord Length, PWR-AC-PS: 39" AC Adapter Cable, 71" Power Cable

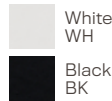
Part Numbers

- PWR-AC-__ USB Hub, Requires HAT Base
- PWR-AC-PS-__ USB Hub, Includes AC Adapter



STANDARD SURFACE POWER MODULE

Finishes



Features

- 2 power receptacles
- 1 USB-A charger port
- 2 USB-C charger ports
- Can charge laptop up to 65 Watts (requires 5A-Rated USB-C cable)
- Mount: Desk edge, 0.75" - 1.75"
- Conforms and tested to UL 962A and UL 1310 standards
- Tamper-resistant (TR) AC outlets
- Integrated circuit breaker

Specifications

- Input: 125VAC, 60Hz, 15A max
- Output:
 - AC Outlets (2): 120VAC, 60HZ, 15A max
 - Single port use:
 - USB-A: 5V/3A, 9V/2.A, 12V1.5, 18W max
 - USB-C1: 5V/3A, 9V3A, 12V3A, 15V3A, 20V3.25A; PPS (3.3-11V4.05A, 3.3-16V3A, 65W max); PD3.0, APPLE2.4A, DCP1.5A, QC2.0/3.0, AFC
 - USB-C2: 5V3A, 9V2.22A, 12V1.67A, 20W max
 - Multi port use:
 - USB-C1 + USB-C2: USB-C1 max 45W (5V3A, 9V3A, 12V3A, 15V2.67A, 20V2.25A); USB-C2 max 20W (5V3A, 9V2.22A, 12V1.67A)
 - USB-C1 + USB-A: USB-C1 max 45W (5V3A, 9V3A, 12V3A, 15V2.67A, 20V2.25A); USB-A max 18W (5V3A, 9V2.A, 12V1.5, 18W max)
 - USB-C2 + USB-A: Both share 15W
 - USB-C1 + USB-C2 + USB-A: USB-C1 max 45W (5V3A, 9V3A, 12V3A, 15V2.67A, 20V2.25A); USB-C2 & USB-A share 15W

Dimensions

- Product: 7.1" x 3.3" x 2.3"
- Cord Length: 6'

Part Numbers

- PWR-ACC-__ Standard Surface Power Module

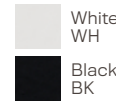
Accessory

- PWR-UM-CK Under Mount Kit



WIRELESS SURFACE POWER MODULE

Finishes



Features

- 2 power receptacles
- 1 USB-A charger port
- 2 USB-C charger ports
- Can charge laptop up to 65 Watts (requires 5A-Rated USB-C cable)
- Fast wireless charging
- Mount: Desk edge, 0.75" - 1.75"
- Conforms and tested to UL 962A and UL 1310 standards
- Tamper-resistant (TR) AC outlets
- Integrated circuit breaker

Specifications

- Input: 125VAC, 60Hz, 15A max
- Output:
 - AC Outlets (2): 120VAC, 60HZ, 15A max
 - Single port use:
 - USB-A: 5V/3A, 9V2.A, 12V1.5, 18W max
 - USB-C1: 5V/3A, 9V3A, 12V3A, 15V3A, 20V3.25A; PPS (3.3-11V4.05A, 3.3-16V3A, 65W max), PD3.0, APPLE2.4A, DCP1.5A, QC2.0/3.0, AFC
 - USB-C2: 5V3A, 9V2.22A, 12V1.67A, 20W max
 - Multi port use:
 - USB-C1 + USB-C2: USB-C1 max 45W (5V3A, 9V3A, 12V3A, 15V2.67A, 20V2.25A); USB-C2 max 20W (5V3A, 9V2.22A, 12V1.67A);
 - USB-C1 + USB-A : USB-C1 max 45W (5V3A, 9V3A, 12V3A, 15V2.67A, 20V2.25A); USB-A max 18W (5V3A, 9V2.A, 12V1.5, 18W max)
 - USB-C2 + USB-A : Both share 15W
 - USB-C1 + USB-C2 + USB-A : USB-C1 max 45W (5V3A, 9V3A, 12V3A, 15V2.67A, 20V2.25A); USB-C2 & USB-A share 15W;
 - Wireless Charging: 5W, 7.5W, 10W, 15W (auto detection)

Dimensions

- Product: 7.1" x 3.3" x 2.4"
- Cord Length: 6'

Part Numbers

- PWR-ACC-WRLS-__ Wireless Surface Power Module





POWER STRIP

Finishes

- White
WH
- Black
BK

Features

6 power receptacles
 Conforms and tested to
 UL 962A and UL 498 standards
 Tamper-resistant (TR) AC outlets
 Integrated circuit breaker

Specifications

Input: 125VAC, 60Hz, 15A max
 Output:
 AC Outlets (6): 120VAC, 60HZ, 15A max

Dimensions

Product: 14.6" x 2.4" x 1.5"
 Cord Length: 9'

Part Numbers

PWR-STRP-__ Power Strip



POWER STRIP WITH HARDWIRED STANDARD SURFACE POWER MODULE

Finishes

- White
WH
- Black
BK

Features

Power Strip: 6 power receptacles
 Power Module: 2 power receptacles
 1 USB-A charger port
 2 USB-C charger ports
 Can charge laptop up to 65 Watts
 (requires 5A-Rated USB-C cable)

Conforms and tested to
 UL 962A, UL 1310, and UL 498 standards
 Tamper-resistant (TR) AC outlets
 Integrated circuit breaker

Specifications

Input: 125VAC, 60Hz, 15A max
 Output, Power Strip:
 AC Outlets (6): 120VAC, 60HZ, 12A max
 Output, Surface Mounted Power Module:
 AC Outlets (2): 120VAC, 60HZ, 15A max
 USB:
 Single Port Use
 USB-A: 5V3A, 9V2.A, 12V1.5, 18W max
 USB-C1: 5V/3A, 9V3A, 12V3A, 15V3A, 20V3.25A;
 PPS (3.3-11V4.05A, 3.3-16V3A, 65W max),
 PD3.0, APPLE2.4A, DCP1.5A, QC2.0/3.0, AFC
 USB-C2: 5V3A, 9V2.22A, 12V1.67A, 20W max
 Multi Port Use
 USB-C1 + USB-C2: USB-C1 max 45W (5V3A, 9V3A,
 12V3A, 15V2.67A, 20V2.25A); USB-C2 max 20W
 (5V3A, 9V2.22A, 12V1.67A)
 USB-C1 + USB-A: USB-C1 max 45W (5V3A, 9V3A,
 12V3A, 15V2.67A, 20V2.25A); USB-A max 18W
 (5V3A, 9V2.A, 12V1.5, 18W max)
 USB-C2 + USB-A: Both share 15W
 USB-C1 + USB-C2 + USB-A : USB-C1 max 45W
 (5V3A, 9V3A, 9V3A, 12V3A, 15V2.67A, 20V2.25A);
 USB-C2 & USB-A share 15W

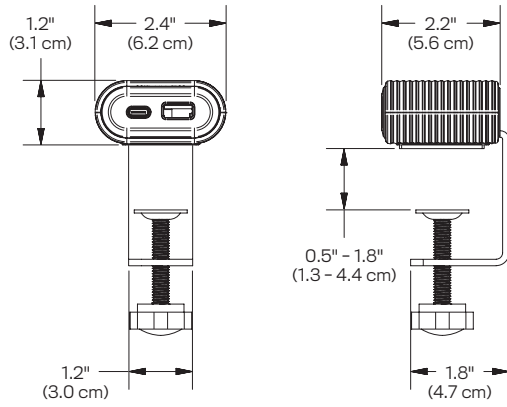
Dimensions

Surface Unit: 7.1" x 3.3" x 2.4"
 Power Strip: 14.6" x 2.4" x 1.5"
 Cord Length:
 Input: 9'
 Between Units: 3'

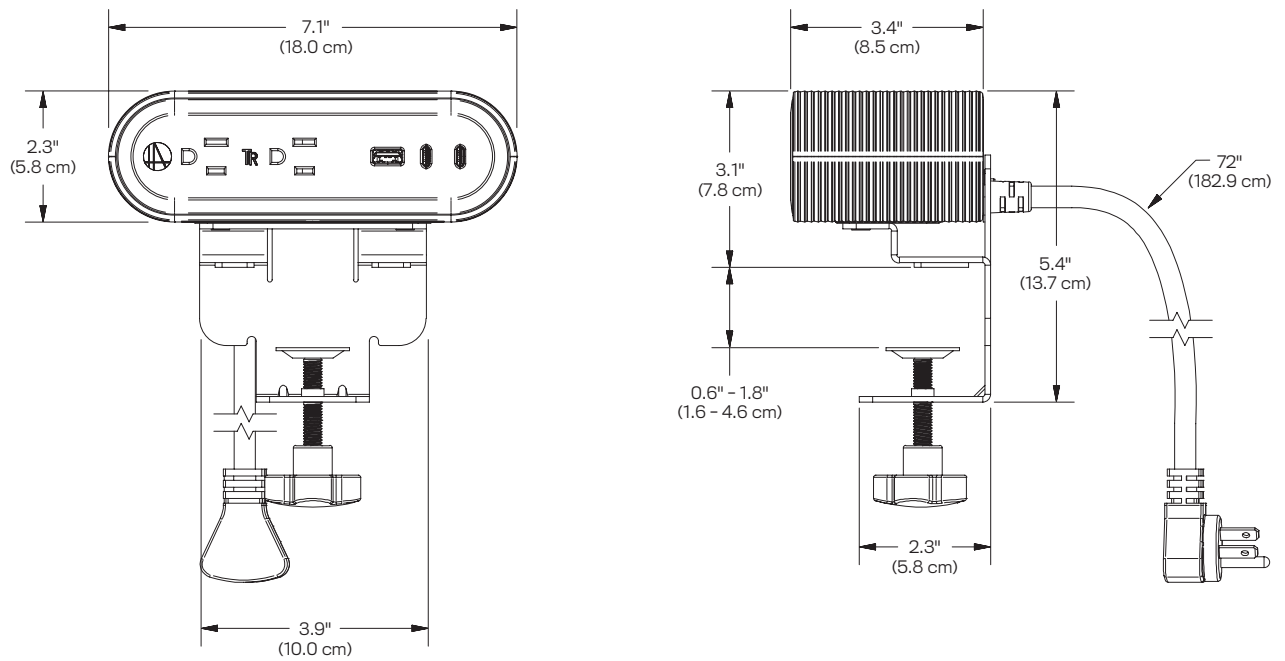
Part Numbers

PWR-ACC-STRP-__ Power Strip w/Standard Module
 PWR-ACC-WRLS-STRP-__ Power Strip w/Wireless Module

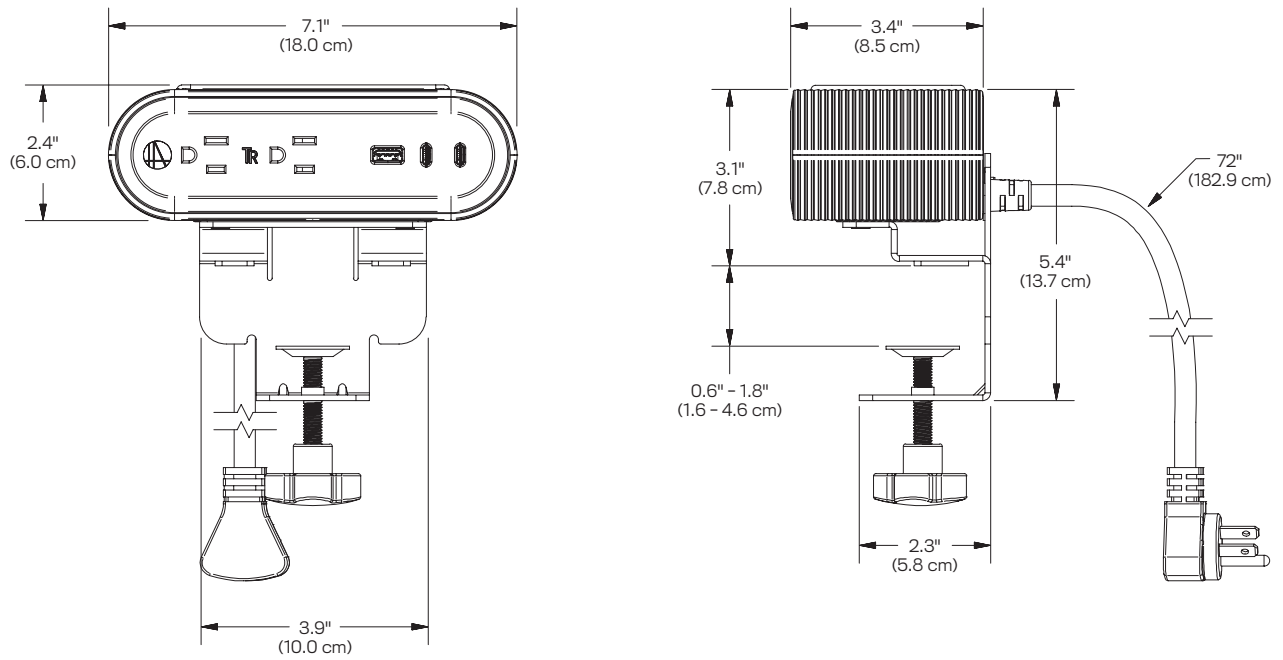
PWR-AC



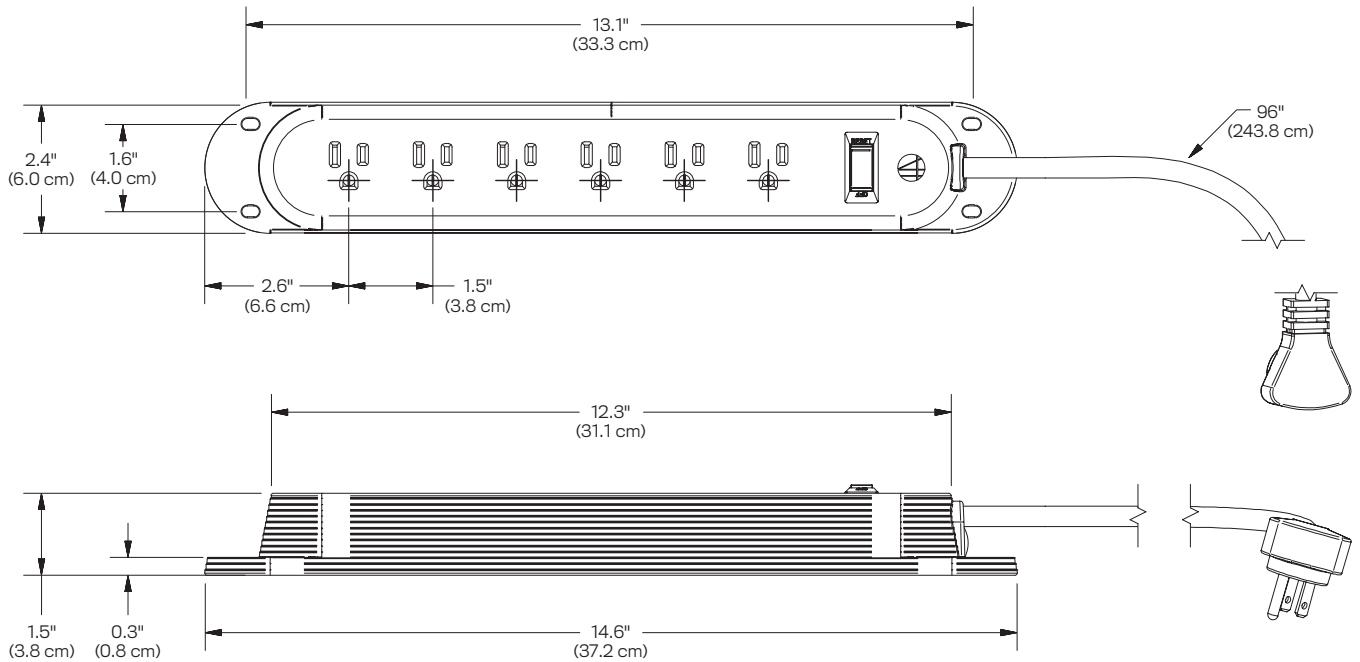
PWR-ACC



PWR-ACC-WRLS



PWR-STRP



PWR-ACC-STRP

