



E2 DUAL

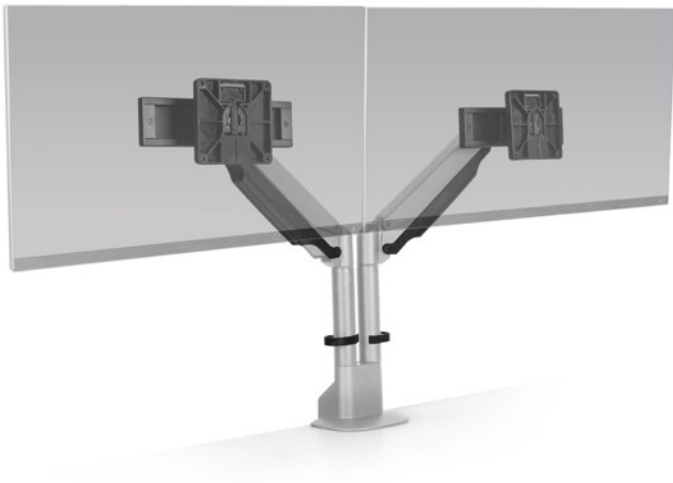
MONITOR ARMS



HAT
DESIGN WORKS™
HUMAN ACTIVE TECHNOLOGY

SLEEK DESIGN. MAXIMUM FLEXIBILITY.

An evolution in ergonomics. Introducing “E2”, the next generation of the original Envoy monitor arm. E2 offers a polished design with maximum flexibility for user screen interaction. With a recent study citing 24% of workers experience neck pain, the E2 seeks to optimize user performance and adjustment control while eliminating the strain on neck muscles.



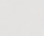


With a fast and easy install, quick release tilter and featured sliders on the dual arm, the E2 proves to be the ideal monitor arm for both home and office environments.

FEATURES

- **Sleek:** Clean lines and a modern silhouette provide a stylish profile for either home or office.
- **Ergonomic:** Allows monitors to be placed at an ergonomically correct distance from the user's eyes to increase comfort and productivity no matter where a person is working.
- **Dynamic:** Portrait-to-landscape rotation feature reduces stress on the neck and shoulders.
- **Easy:** Tension indicator allows the user to pre-counterbalance arms based on monitor weight prior to installation.
- **Compatible:** VESA-monitor compatible - 75mm & 100mm VESA adapters included.

SPECIFICATIONS

Finishes

	Flat White 248
	Silver 124
	Vista Black 104

Dimensions

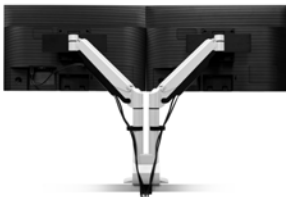
Screen Size: Up to 27"
 Height Adjustment: 13"
 Width Adjustment Range: 17.5" - 28.5"
 Max Monitor Height: 18.5"
 Weight Capacity: 2.2 - 20 lbs. per monitor
 Mount: C-Clamp, Grommet
 Compatibility: Up to 1.5" desk thickness

Part Numbers

E2-2-_-_-

Mount Conversion Kits

8524-FM-CK: Flexmount Conversion Kit
 8540-TM-CK: Thru-Desk Conversion Kit



Cable management allows for a clutter-free workspace



Integrated sliders provide maximum flexibility

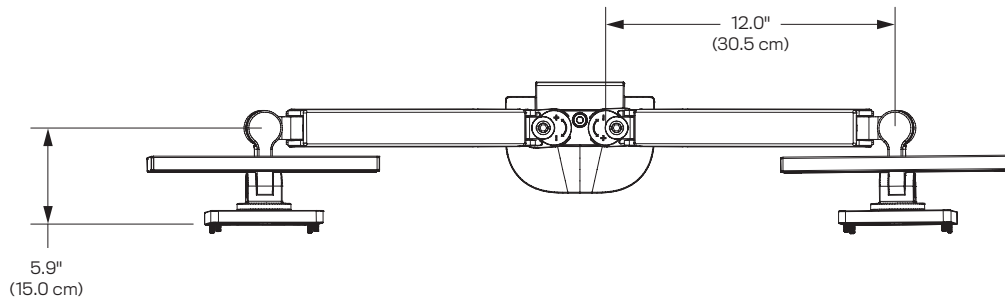
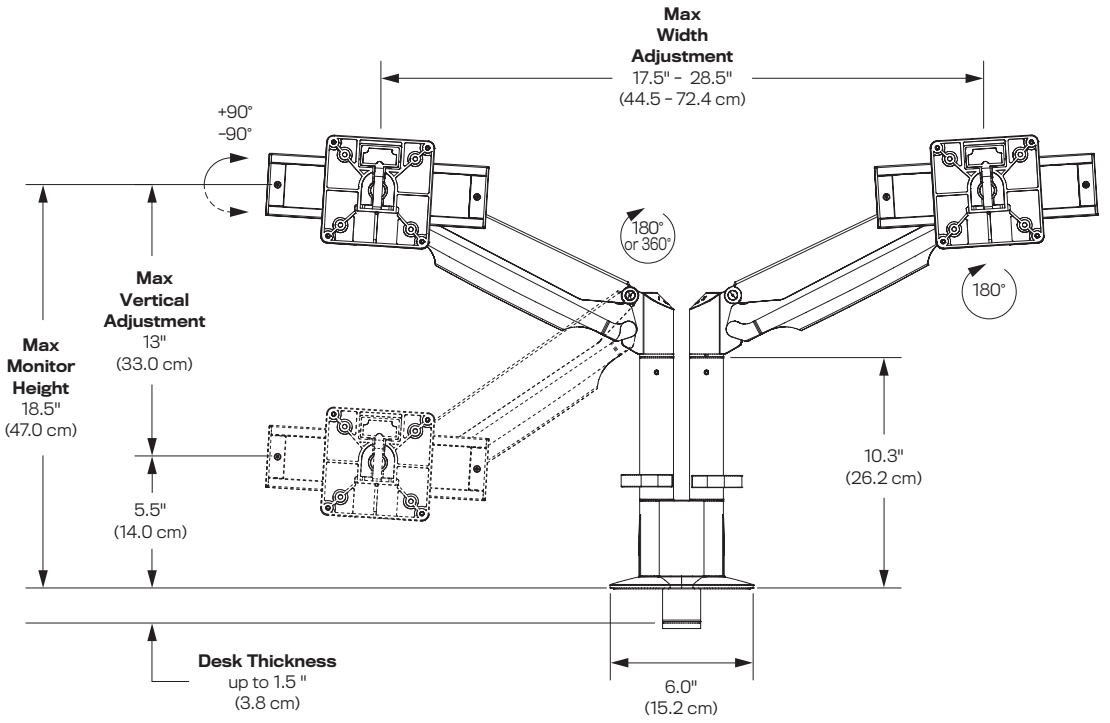


Dual arm features tension indicator for easy installation

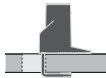
WARRANTY

10 Years

CAPABILITIES



C-Clamp



Grommet