

ASCENT4

Sit-Stand Desk



Workrite
ergonomics®



ASCENT4

Sit-Stand Desk

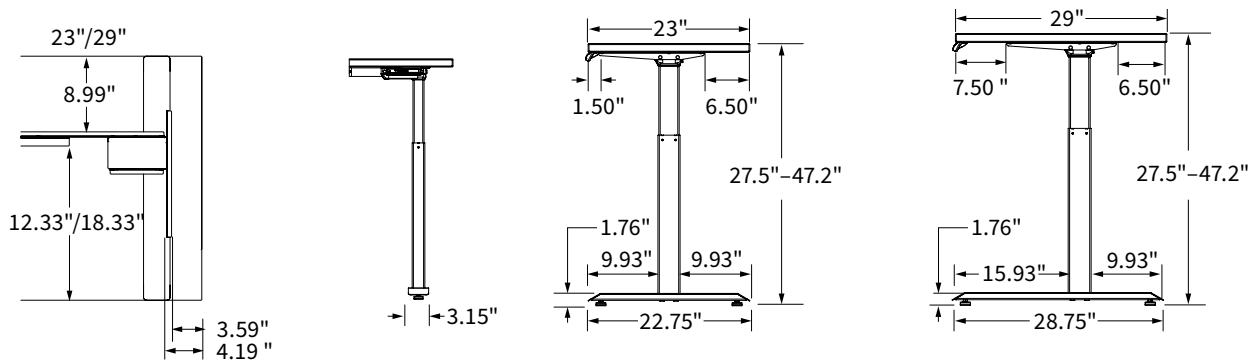
The Ascent4 Sit-Stand Desk offers all the performance and features you've come to know from Workrite, packed into a value based solution. The Ascent4 LX two-stage sit-stand model feature a limited height range of 27.5" to 47.2" for a good user height range at our lowest price offered. The Ascent4 EX features the BIFMA G1-2013 Ergonomic Height Range, giving you the most ergonomic option in sit-stand tables. Other thoughtful features include Digital Readout Programmable Memory controller, Standard Up/Down Button controls, One-Touch Auto Move, advanced Gyro Anti-Collision, and integrated cable management.

SPECIFICATIONS

- Available for 24" and 30" deep worksurfaces
- Rectangle sizes from 30" to 72" wide
- Powder coated steel finish in Silver, Black, or White
- Gyro-Sensor Anti-Collision
- Optional Digital Memory Switch & Standard Switch
- Height range of 27.5" to 47.2"
- 2-leg payload carry capacity: 200 pounds (after top)
- 2-leg gross load capacity: 308 pounds (not including top and safety factor)
- Adjustment speed: 1.2" per second
- Maximum power draw: 4.0 A at 120 V, 60 Hz
- Standby power draw: 0.3 W
- 9-foot power cord meets Chicago Code requirements
- Meets or exceeds BIFMA X5.5 Standards
- GREENGUARD GOLD Certified
- UL962 Listed
- 7-Year Warranty



FRAME SET DIMENSIONS



	MODEL #	US \$ LIST	US \$ LIST	CAN \$ LIST	CAN \$ LIST
		Standard Switch (SS)	Programmable Switch (PS)	Standard Switch (SS)	Programmable Switch (PS)
24" Deep	AS4LX-30-48-F24-□□-□	\$609	\$619	\$812	\$825
30" Deep	AS4LX-30-48-F30-□□-□	\$619	\$629	\$825	\$838
24" & 30" Deep	AS4LX-30-48-F2430-□□-□	\$614	\$624	\$819	\$832

	MODEL #	US \$ LIST	US \$ LIST	CAN \$ LIST	CAN \$ LIST
		Standard Switch (SS)	Programmable Switch (PS)	Standard Switch (SS)	Programmable Switch (PS)
24" Deep	AS4LX-54-72-F24-□□-□	\$649	\$659	\$865	\$878
30" Deep	AS4LX-54-72-F30-□□-□	\$659	\$669	\$879	\$892
24" & 30" Deep	AS4LX-54-72-F2430-□□-□	\$654	\$664	\$872	\$885

ASCENT4 LX

2-STAGE, 3-LEG

SPECIFICATIONS

- Available for 24" and 30" deep worksurfaces
- Corner sizes 54–72" wide by 42–72" wide
- Powder coated steel finish in Silver, Black, or White
- Gyro-Sensor Anti-Collision
- Optional Digital Memory Switch & Standard Switch
- Height range of 27.5" to 47.2"
- 3-leg payload carry capacity: 300 pounds (after top)
- 3-leg gross load capacity: 428 pounds (not including top and safety factor)
- Adjustment speed: 1.2" per second
- Maximum power draw: 5.0 A at 120 V, 60 Hz
- Standby power draw: 0.3 W
- 9-foot power cord meets Chicago Code requirements
- Meets or exceeds BIFMA X5.5 Standards
- GREENGUARD GOLD Certified
- UL962 Listed
- 7-Year Warranty



3-Leg Base Set part numbers consist of:
 Model & Width Range Foot Kit Switch Color

AS4LX-5472-4272EOC-F30-PS-S

The example given is for a Ascent4 LX frame that is 54" to 72" wide on one side and 42" to 72" on the other, has a 30" Foot Kit for a 30" worksurface depth, a Programmable Switch, and the frame set color is Silver.

Frame Set colors: S=Silver, B=Black, W=White

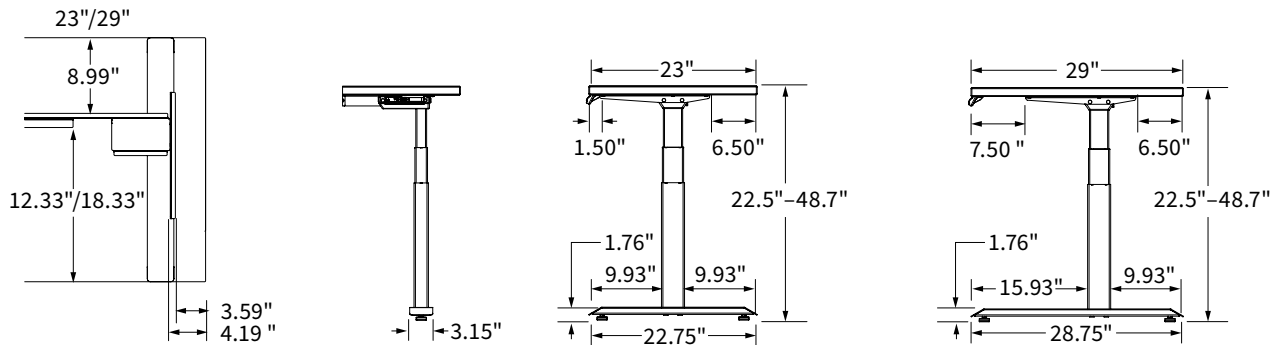
2-STAGE, 3-LEG BASE SETS FOR TOPS 30" TO 48" WIDE	MODEL #	US \$ LIST	US \$ LIST	CAN \$ LIST	CAN \$ LIST
		Standard Switch (SS)	Programmable Switch (PS)	Standard Switch (SS)	Programmable Switch (PS)
24" Deep	AS4LX-5472-4272EOC-F24-□□-□	\$945	\$955	\$1,260	\$1,273
30" Deep	AS4LX-5472-4272EOC-F30-□□-□	\$955	\$965	\$1,273	\$1,286
24" & 30" Deep	AS4LX-5472-4272EOC-F2430-□□-□	\$950	\$960	\$1,267	\$1,280

SPECIFICATIONS

- Available for 24" and 30" deep worksurfaces
- Rectangle sizes from 30" to 72" wide
- Powder coated steel finish in Silver, Black, or White
- Gyro-Sensor Anti-Collision
- Optional Digital Memory Switch & Standard Switch
- BIFMA G-1 2013 height range: 22.52" to 48.7"
- 2-leg payload carry capacity: 200 pounds (after top)
- 2-leg gross load capacity: 308 pounds (not including top and safety factor)
- Adjustment speed: 1.5" per second
- Maximum power draw: 4.0 A at 120 V, 60 Hz
- Standby power draw: 0.3 W
- 9-foot power cord meets Chicago Code requirements
- Meets or exceeds BIFMA X5.5 Standards
- GREENGUARD GOLD Certified
- UL962 Listed
- 7-Year Warranty



FRAME SET DIMENSIONS



3-STAGE, 2-LEG BASE SETS FOR TOPS 30" TO 48" WIDE	MODEL #	US \$ LIST	US \$ LIST	CAN \$ LIST	CAN \$ LIST
		Standard Switch (SS)	Programmable Switch (PS)	Standard Switch (SS)	Programmable Switch (PS)
24" Deep	AS4EX-30-48-F24-□□-□	\$719	\$729	\$959	\$972
30" Deep	AS4EX-30-48-F30-□□-□	\$729	\$739	\$972	\$985
24" & 30" Deep	AS4EX-30-48-F2430-□□-□	\$724	\$734	\$965	\$978

3-STAGE, 2-LEG BASE SETS FOR TOPS 54" TO 72" WIDE	MODEL #	US \$ LIST	US \$ LIST	CAN \$ LIST	CAN \$ LIST
		Standard Switch (SS)	Programmable Switch (PS)	Standard Switch (SS)	Programmable Switch (PS)
24" Deep	AS4EX-54-72-F24-□□-□	\$759	\$769	\$1012	\$1025
30" Deep	AS4EX-54-72-F30-□□-□	\$769	\$779	\$1025	\$1038
24" & 30" Deep	AS4EX-54-72-F2430-□□-□	\$764	\$774	\$1019	\$1032

ASCENT4 EX


3-STAGE, 3-LEG


SPECIFICATIONS


- Available for 24" and 30" deep worksurfaces
- Corner sizes 54–72" wide by 42–72" wide
- Powder coated steel finish in Silver, Black, or White
- Gyro-Sensor Anti-Collision
- Optional Digital Memory Switch & Standard Switch
- BIFMA G-1 2013 height range: 22.52" to 48.7"
- 3-leg payload carry capacity: 300 pounds (after top)
- 3-leg gross load capacity: 428 pounds (not including top and safety factor)
- Adjustment speed: 1.5" per second
- Maximum power draw: 5.0 A at 120 V, 60 Hz
- Standby power draw: 0.3 W
- 9-foot power cord meets Chicago Code requirements
- Meets or exceeds BIFMA X5.5 Standards
- GREENGUARD GOLD Certified
- UL962 Listed
- 7-Year Warranty



3-STAGE, 3-LEG BASE SETS FOR TOPS 30" TO 48" WIDE		MODEL #	US \$ LIST Standard Switch (SS)	US \$ LIST Programmable Switch (PS)	CAN \$ LIST Standard Switch (SS)	CAN \$ LIST Programmable Switch (PS)
24" Deep		AS4EX-5472-4272EOC-F24-□□-□	\$1,085	\$1,095	\$1,447	\$1,460
30" Deep		AS4EX-5472-4272EOC-F30-□□-□	\$1,095	\$1,105	\$1,460	\$1,473
24" & 30" Deep		AS4EX-5472-4272EOC-F2430-□□-□	\$1,090	\$1,100	\$1,453	\$1,466

MAGNETIC CABLE MANAGER	SPECIFICATIONS	MODEL #	WEIGHT	US \$ LIST	CAN \$ LIST
	<ul style="list-style-type: none"> Vertical cable manager is 47" and comes complete with 3 embedded magnets and worksurface attachment hardware Designed to discreetly conceal & manage cables down the rear or side profile of height adjustable desk legs Open tab design allows for cables to easily enter and exit the cable chain Length is optimized for 3 stage height adjustable desk, links can be removed to accommodate shorter adjustment ranges Available in silver, black, white 	ACC-WM-MCC-□	2	\$159	\$212
		Colors: S:Silver, B: Black, W: White			

MESH CABLE TROUGH	SPECIFICATIONS	MODEL #	LENGTH	US \$ LIST	CAN \$ LIST
	<ul style="list-style-type: none"> Designed to be mounted under the worksurface behind the stretcher bracket Constructed of durable mesh, it provides 4" height and 3.5" depth of storage space Two widths offered to accommodate varying sized worksurfaces <ul style="list-style-type: none"> 34" version to be mounted on worksurfaces 46" or less 48" version to be mounted on worksurfaces 48" or greater Mounting hook design allows mesh trough to hinge open for easier access Velcro loops inside the mesh trough provide convenient way to keep cables & power strips bundled internally Each version features (1) grommet hole in the center to allow cables to enter or exit as required Textile portion available in gray finish 	ACC-WM-MT34-G	34"	\$210	\$280
		ACC-WM-MT48-G	48"	\$226	\$301

POWERED USB-C DATA SUPPLY	SPECIFICATIONS	MODEL #	WEIGHT	US \$ LIST	CAN \$ LIST
	<ul style="list-style-type: none"> Two Tamper-Resistant 120 V A/C Power Receptacles One USB A & One USB-C Outlet / 30 W A+C USB-A Rating: 5 V DC@3 A, 9 V DC@2 A, 12 V DC USB-C Rating: 5 V DC@3 A, 9 V DC@3 A, 12 V DC@2.5 A, 20 V DC@1.5 A Integrated circuit breaker 9' power cord with NEMA5-15P 45 degree flat wall plug Electrical rating: 120 V AC, 60 Hz, 12-15 A max UL Listed City of Chicago compliant Available in black and white finishes 	ADP-TR2P1UA1UC9B-□	3	\$220	\$293



WORKRITE ERGONOMICS
2277 PINE VIEW WAY, SUITE 100
PETALUMA, CA 94954-5688

800.959.9675
WWW.WORKRITEERGO.COM

Workrite
ergonomics®

1400596 REV B
© 2024 WORKRITE ERGONOMICS
ALL RIGHTS RESERVED