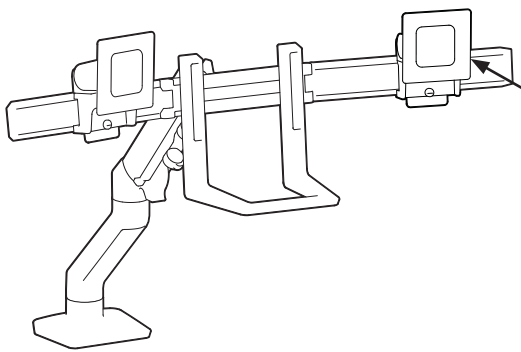
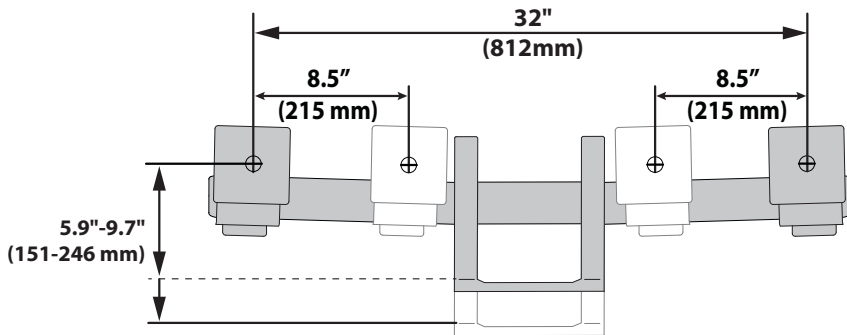
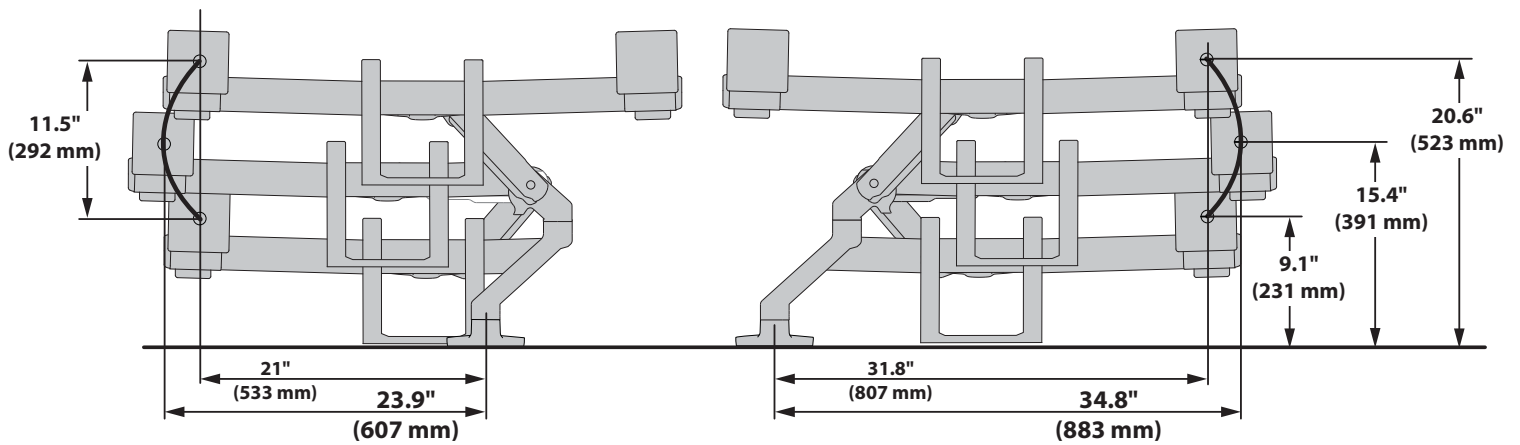


Ergotron® HX Dual Monitor Arm

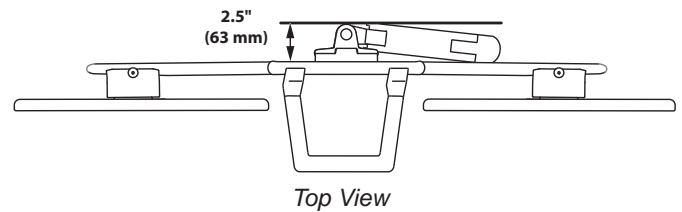
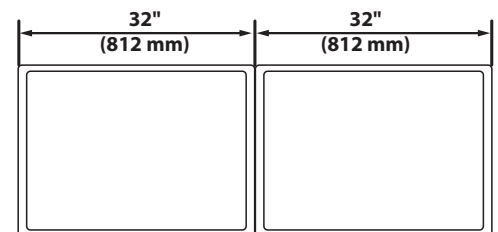


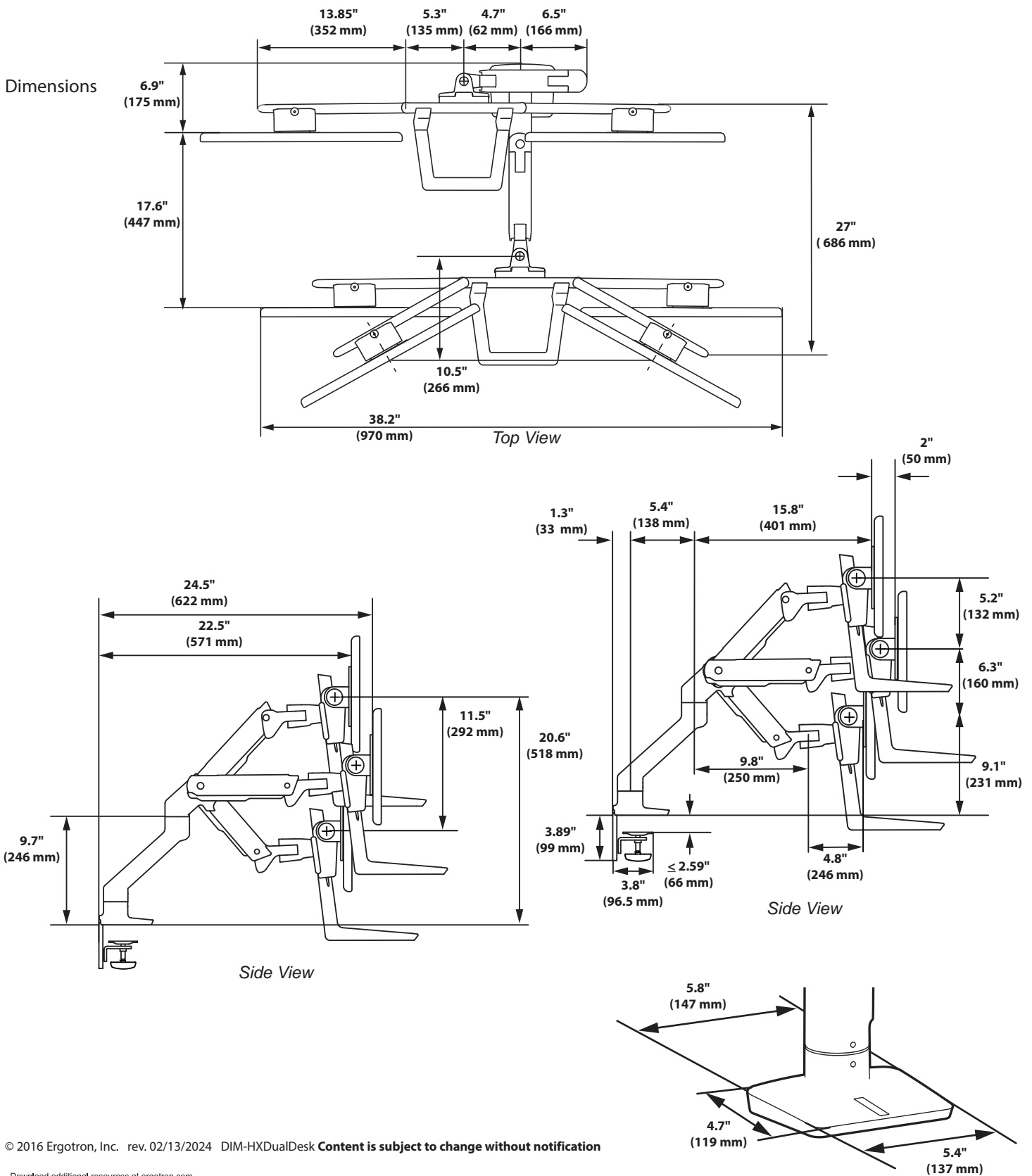
Weight Capacity per Monitor
5 - 17.5 lbs (2.3 - 7.9 kg)

Dimensions



Max Monitor Size



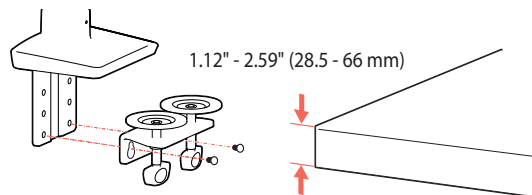
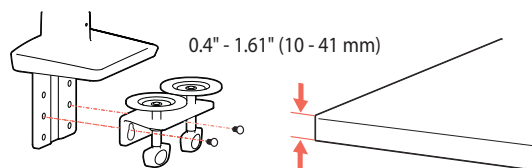
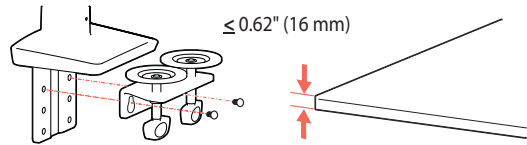


© 2016 Ergotron, Inc. rev. 02/13/2024 DIM-HXDualDesk Content is subject to change without notification

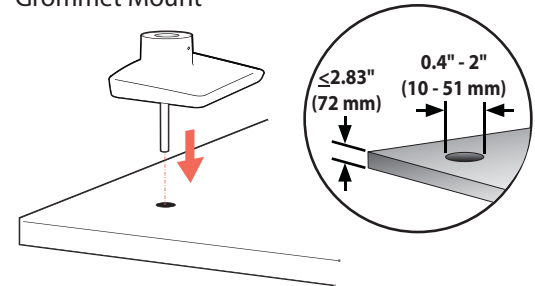
Download additional resources at ergotron.com
 USA & Canada Sales & Corporate Headquarters: St. Paul, MN USA / 800.888.8458 / +1.651.681.7600 / insidesales@ergotron.com
 EMEA Sales: Amersfoort, The Netherlands / +31.33.45.45.600 / info.eu@ergotron.com
 APAC Sales: Sydney, Australia / apaccustomerservice@ergotron.com
 LATAM Sales: info.latom@ergotron.com
 Worldwide Custom Sales: custom@ergotron.com
 Ergotron devices are not intended to cure, treat, mitigate or prevent any disease. Patent information available at www.ergotron.com/patents

Dimensions

Desk Clamp



Grommet Mount



Ergotron® HX Dual Monitor Arm

Range of Motion

