

TRACE monitor mount



Shape a new experience



CREATE AGILE WORK ENVIRONMENTS THAT HELP PROMOTE HIGHER PERFORMANCE, WELL-BEING AND EMPLOYEE SATISFACTION.

ergotron®

TECHNOLOGY OF MOVEMENT™



TRACE™ embraces personal workstyles and ergonomic needs in individual or shared workspaces by effortlessly shifting between users and tasks before returning to the natural home position.

Intuitive monitor adjustment with patented Constant Force™ Technology encourages healthy movement with a refined aesthetic that supports the look of a modern office. TRACE offers the assurance of a premium, 15-year warranty and the flexibility of a modular design that evolves with organizational needs.

INTUITIVE ADJUSTMENT: TRACES A SET PATH FOR EASY MOVEMENT

REFINED AESTHETICS: ADDS UNIFORMITY AND A CLEAN LOOK WITH INTEGRATED CABLE MANAGEMENT

EFFICIENT INSTALLATION: INCLUDES COUNTERBALANCE INDICATOR FOR PRECISE SET-UP

ADAPTABLE CONFIGURATION: CONVERTS TO A DUAL OR SINGLE MONITOR MOUNT TO MEET EVOLVING NEEDS

QUALITY DESIGN: INCLUDES 15-YEAR WARRANTY; BIFMA LEVEL® 2 AND CLEAN AIR GOLD CERTIFIED

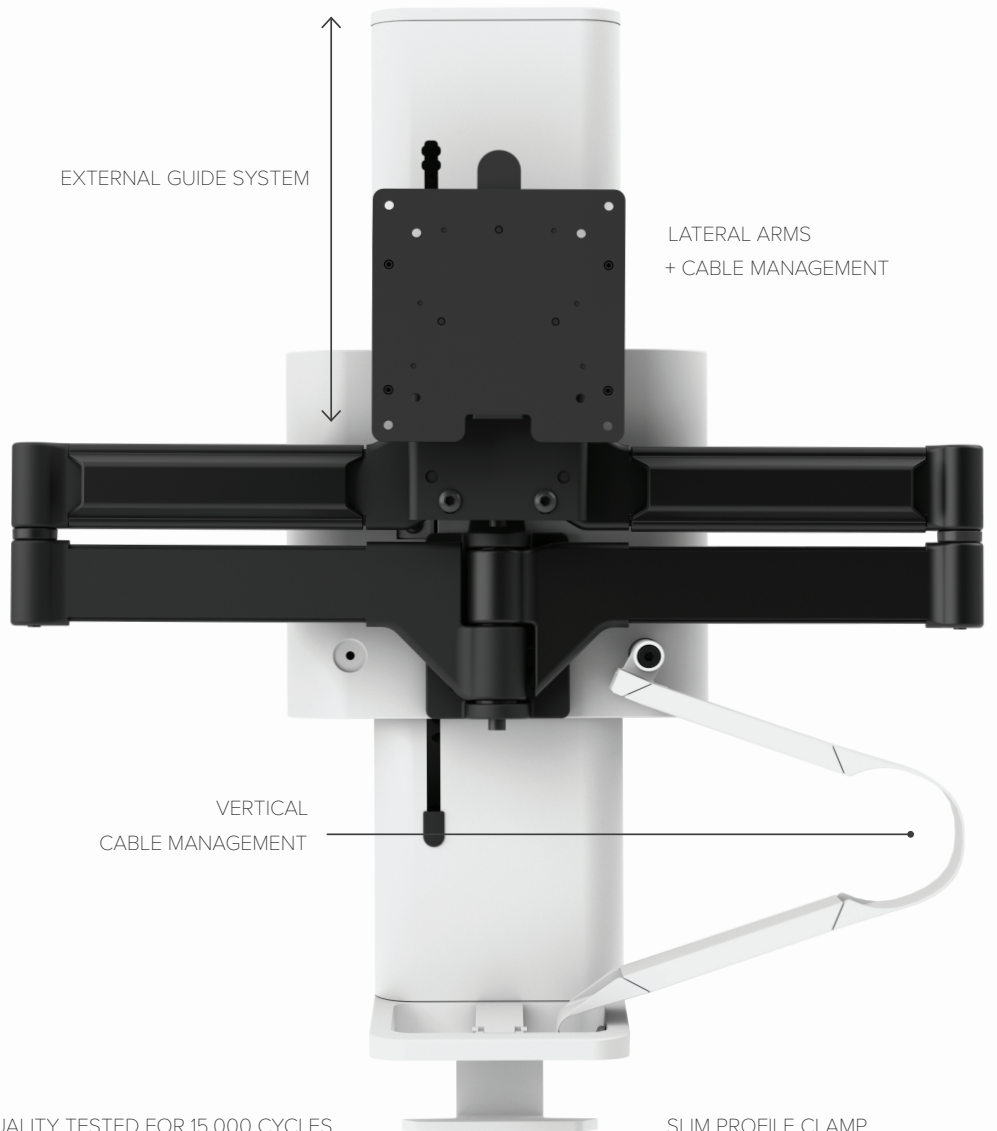
EXTERNAL GUIDE SYSTEM

LATERAL ARMS
+ CABLE MANAGEMENT

VERTICAL
CABLE MANAGEMENT

PROFESSIONAL-GRADE QUALITY TESTED FOR 15,000 CYCLES

SLIM PROFILE CLAMP



Single Monitor Mount



with Panel Clamp
TDS-MA-PA-251 (Snow White)
TDS-MA-PA-224 (Matte Black)



with Slim Profile Clamp
TDS-MA-FS-251 (Snow White)
TDS-MA-FS-224 (Matte Black)



with Grommet Clamp
TDS-MA-GR-251 (Snow White)
TDS-MA-GR-224 (Matte Black)

Finishes

Snow
White

Matte
Black



Dual Monitor Mount



with Panel Clamp
TDD-MA-PA-251 (Snow White)
TDD-MA-PA-224 (Matte Black)



with Slim Profile Clamp
TDD-MA-FS-251 (Snow White)
TDD-MA-FS-224 (Matte Black)



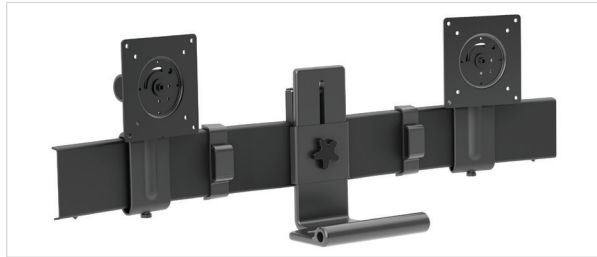
with Grommet Clamp
TDD-MA-GR-251 (Snow White)
TDD-MA-GR-224 (Matte Black)

Single Conversion Kit



47-109-224 (Matte Black)

Dual Conversion Kit



47-110-224 (Matte Black)

Clamp Kit



Grommet
98-492-009 (Matte Black)

Contact us
to discover the full statement of line.



As awarded by
The Chicago
Athenaeum:
Museum of
Architecture and
Design

