

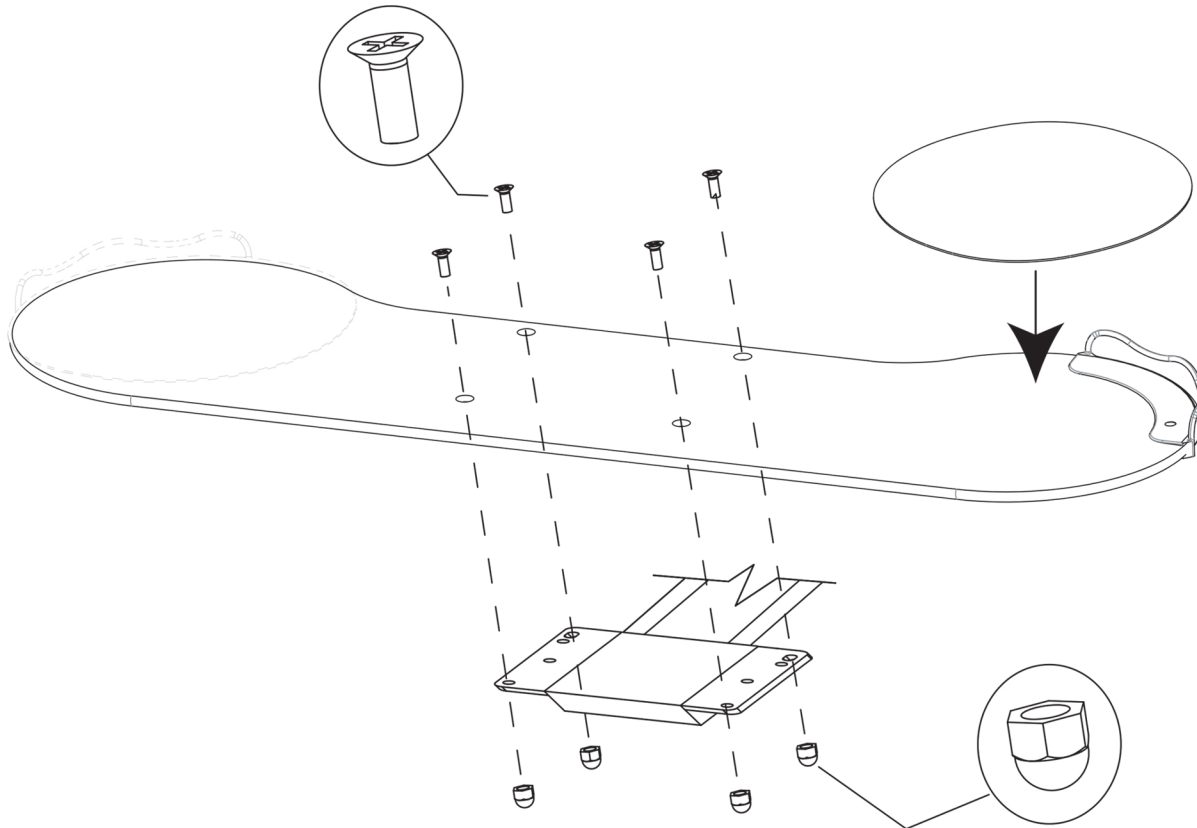
TRAY SET

Hardware Included:

- (4) Acorn Nuts
- (4) 10-24 Screws

Tools Needed:

- Phillips Head Screwdriver
- 3/8" Wrench



31559 9/2/15

TRACK and UC MECHANISM

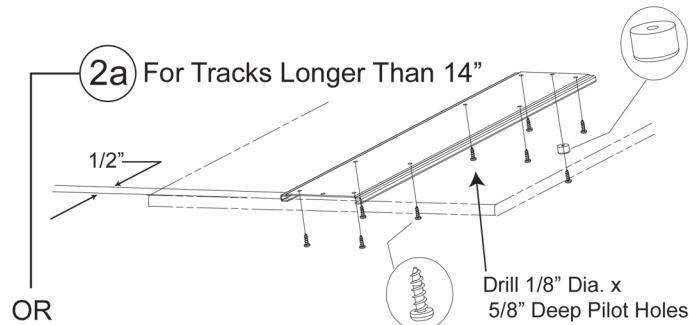
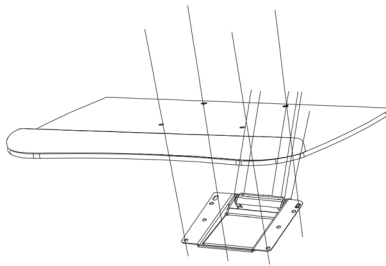
Hardware Included:

- (20) #10-11 Screws
- (1) Bumper (for tracks longer than 14")
- (1) Track Guard
- (1) Rear Stop Bracket (for tracks 14" or shorter)

Tools Needed:

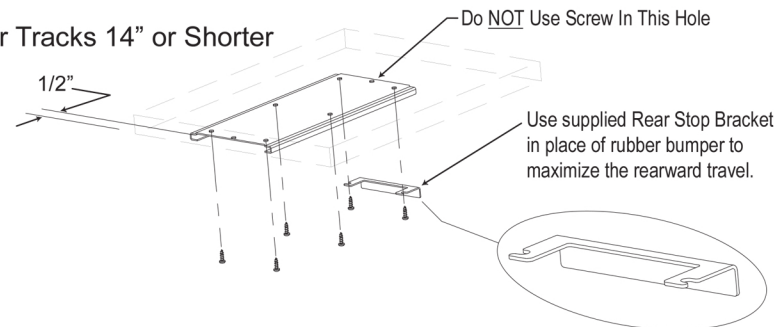
- Phillips Head Screwdriver
- 1/8" Drill Bit

1 Mount per Tray Instructions

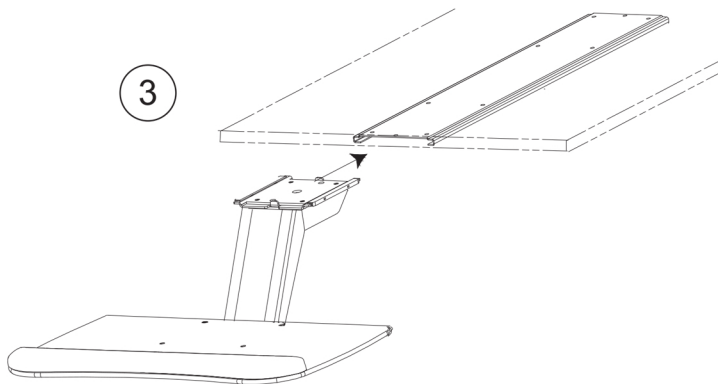


OR

2b For Tracks 14" or Shorter



3



4

