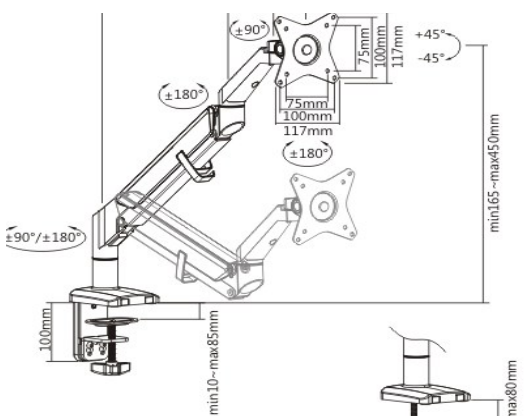
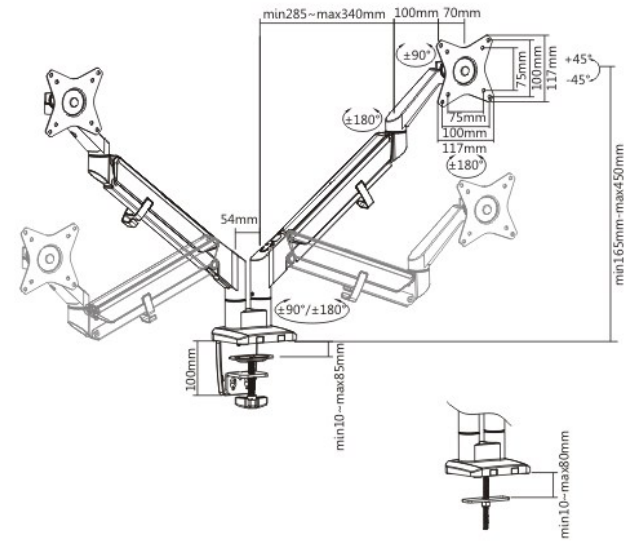
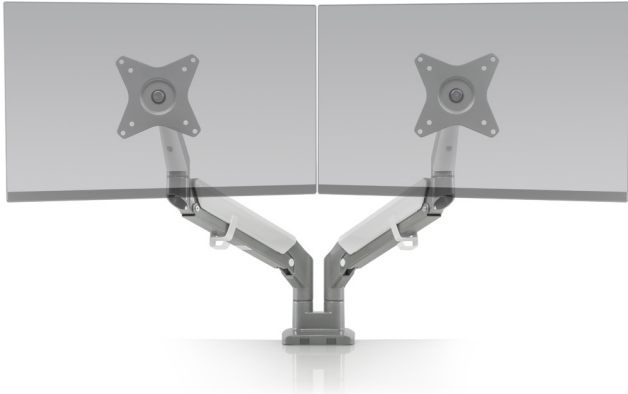


ALIGN

The Align articulating monitor arm is an attractive, durable mount with a short forearm ideal for shallow workspaces or desks fitted with privacy panels. Featuring a gas spring that can be easily counter-balanced, Align can quickly be re-positioned to fit your needs and provide ergonomic comfort.



FEATURES

- Adjustable height for optimal ergonomic positioning.
- Detachable, quick-install VESA plates reduces installation time.
- Effortless swivel, tilt, and portrait to landscape rotation provide a wide range of movement.
- Sleek cable management system routes cables beneath the monitor arms.
- Mounts to desk edge or bolts through desk.
- Gas spring which allows for counter-balancing the weight of your monitor.
- Free-Tilt design makes for simple adjustment and better viewing.
- VESA adapter included.

SPECIFICATIONS

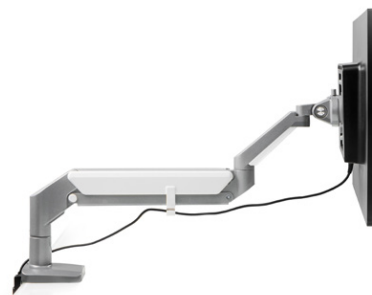
Display size: Fits most 17"-32"
 Weight Capacity: 0.9 - 8.9 kg (2.2 - 19.8 lb) per monitor
 Extension: 17.3"
 Height Adjustment: 6.49"-17.71"
 VESA: 75mm x 75mm and 100mm x 100mm

FINISHES

■ Silver

MODELS

ALIGN-1-SLV
 ALIGN-2-SLV



Contact your representative.
 877.523.2767 ErgotechGroup.com