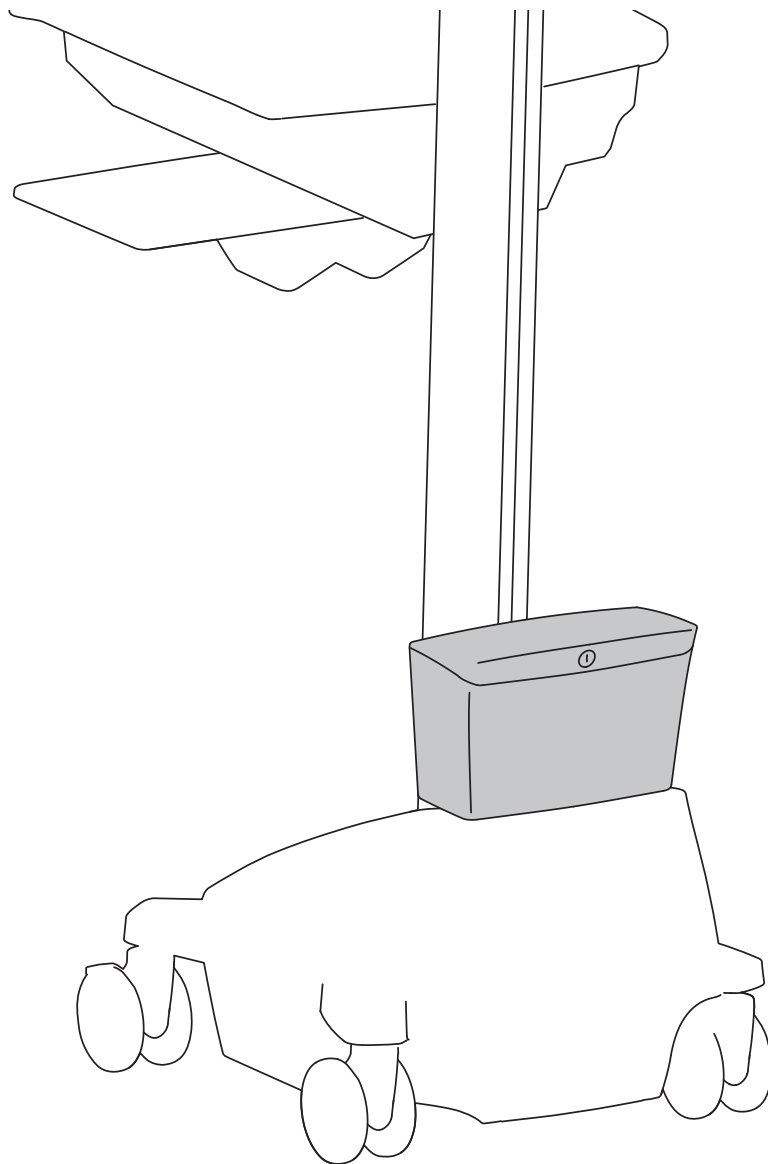


ergotron[®]

StyleView[®] Storage Bin



English



For the latest User Installation Guide please visit: www.ergotron.com

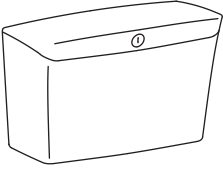



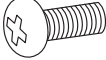
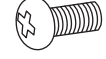
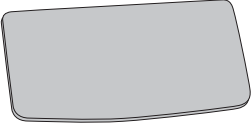
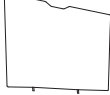
English, Español, Français, Deutsch, Nederlands, Italiano, Svenska, 日本語, 汉语

www.ergotron.com | USA: 1-800-888-8458 | Europe: +31 (0)33-45 45 600 | China: 400-120-3051 | Japan: japansupport@ergotron.com

Set-up

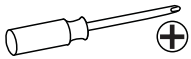


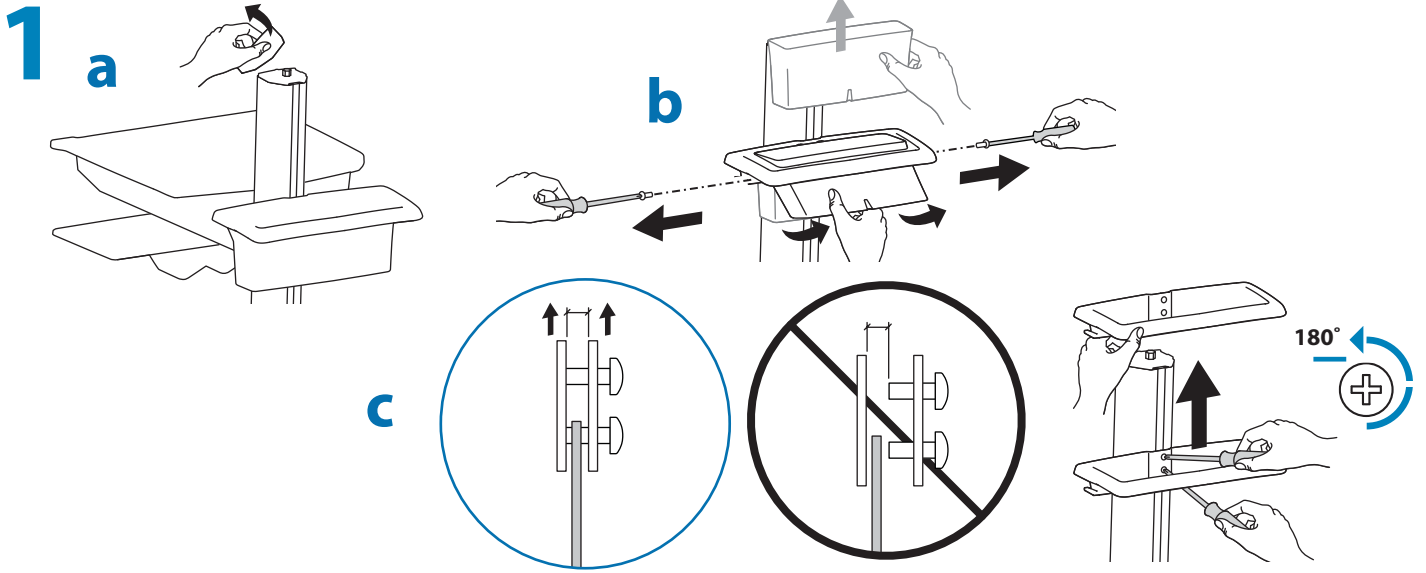
Components

	A	B	C	D	E
1	1x 	1x  2x 	1x 	2x  M5 x 10mm 1x  M4 x 10mm	1x  1x 

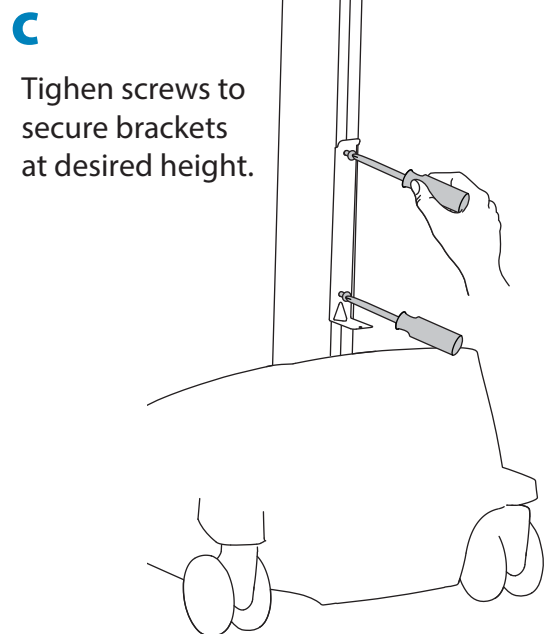
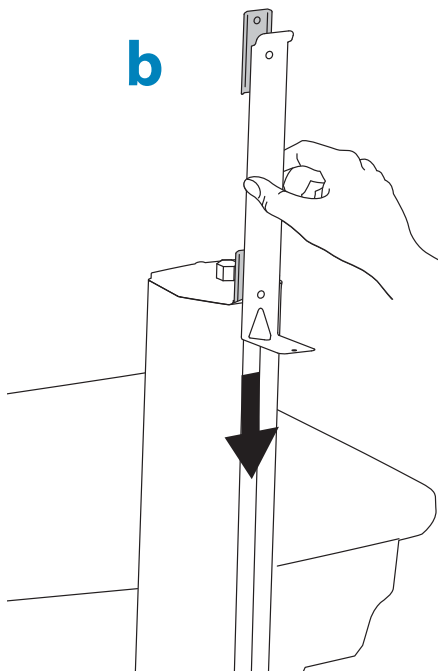
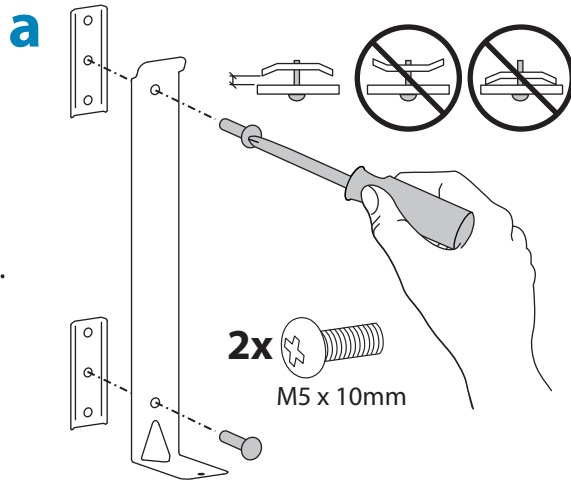


Tools Needed

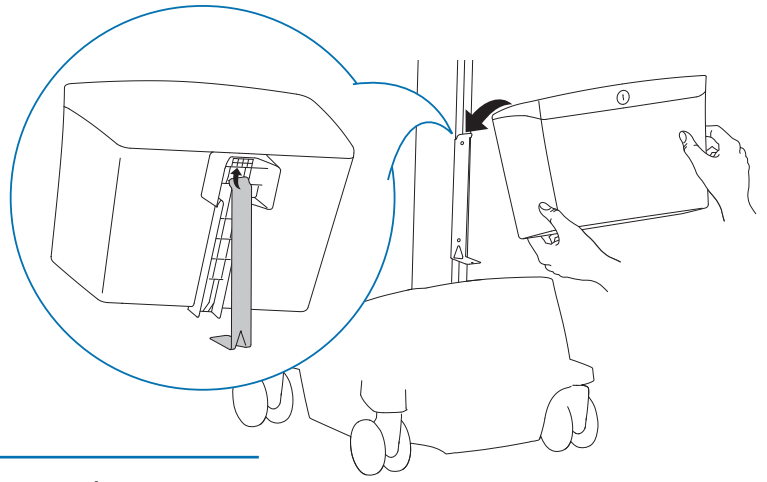




2 Attach the 2 T-slot brackets to the 'L' bracket.
 NOTE: Leave enough space between the brackets to allow access to attach to the cart (see step 2b).

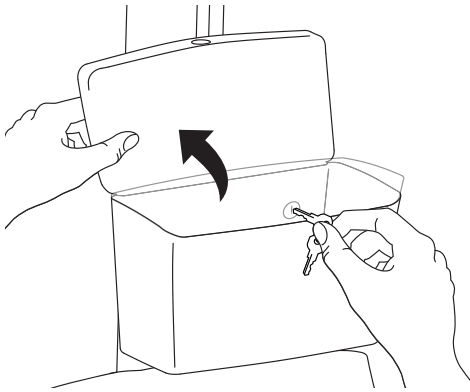


3 Hang the bin on the 'L' bracket attached to the cart.



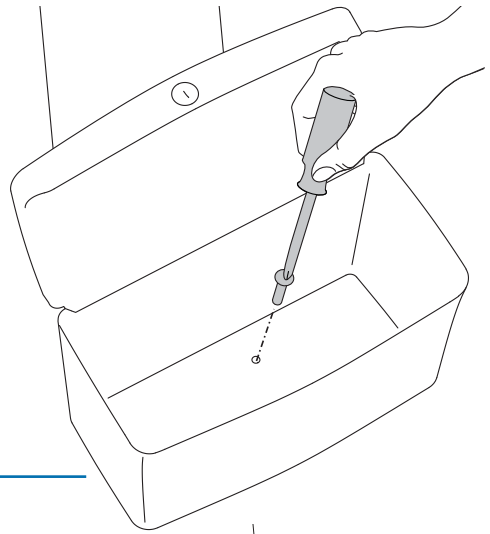
4 Unlock and open the bin, then secure bin to cart with screw.

a

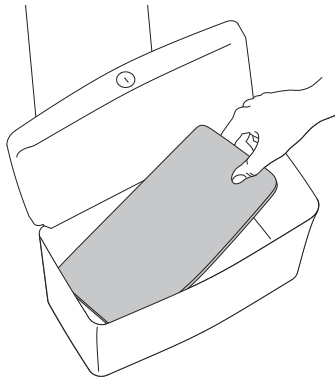


b

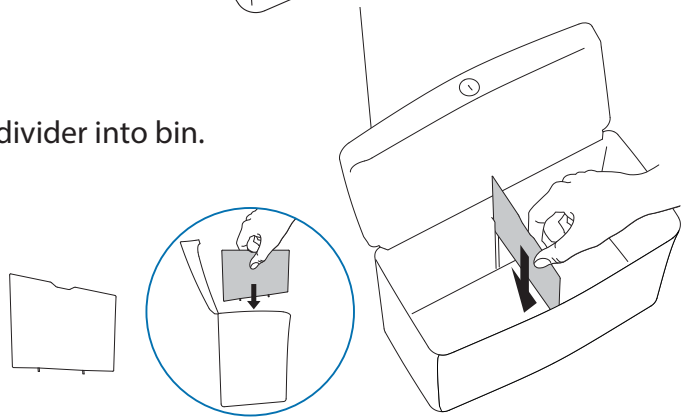
1x 
M4 x 10mm



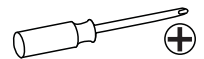
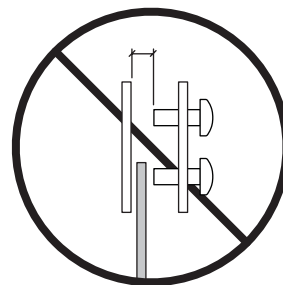
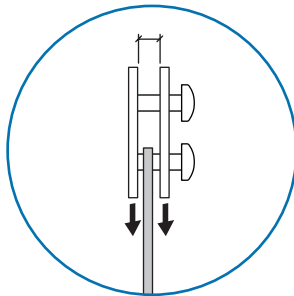
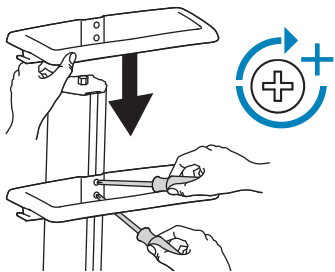
5 Insert rubber mat into bin.



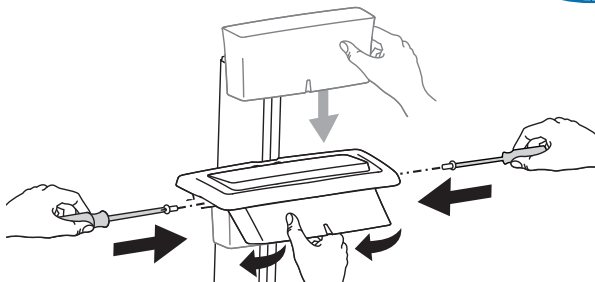
6 Insert divider into bin.



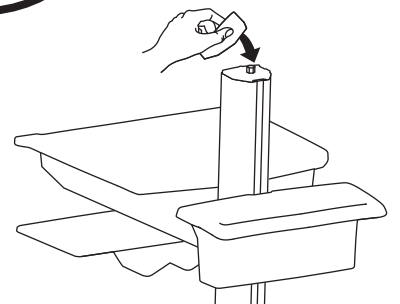
7 a



b



c





For Warranty visit: www.ergotron.com/warranty

For Service visit: www.ergotron.com

For local customer care phone numbers visit: <http://contact.ergotron.com>

NOTE: When contacting customer service, reference the serial number.

www.ergotron.com | USA: 1-800-888-8458 | Europe: +31 (0)33-45 45 600 | China: 400-120-3051 | Japan: japansupport@ergotron.com

© 2013 Ergotron, Inc. All rights reserved.

While Ergotron, Inc. makes every effort to provide accurate and complete information on the installation and use of its products, it will not be held liable for any editorial errors or omissions (including those made in the process of translation from English to another language), or for incidental, special or consequential damages of any nature resulting from furnishing this instruction and performance of equipment in connection with this instruction. Ergotron, Inc. reserves the right to make changes in the product design and/or product documentation without notification to its users. For the most current product information, or to know if this document is available in languages other than those herein, please contact Ergotron. No part of this publication may be reproduced, stored in a retrieval system, or transmitted in any form or by any means, electronic, mechanical, photocopying, recording or otherwise without the prior written consent of Ergotron, Inc., 1181 Trapp Road, Eagan, Minnesota, 55121, USA. Patents Pending and Patented U.S. & Foreign. Ergotron is a registered trademark of Ergotron, Inc.